

# 2015 EQUIPMENT CATALOG

# TABLE OF CONTENTS

<b>CATALOG LAYOUT</b>	3	<b>SPECIALTY</b>	
<b>U S CHEMICAL/BETA TECHNICAL CUSTOMER SERVICE (TCS)</b>	3	DR-2000 - Clock-Based Chemical Feed System	25-26
<b>GENERAL INFORMATION</b>	4	Pool Shot/Pool 2000	26
<b>LIMITED WARRANTY STATEMENT</b>	4	SingleShot - Microprocessor-Controlled Dosing System	26
<b>KITCHEN - WAREWASH SYSTEMS</b>		Caliper	27
D3000 - All Mode Dosing, Two Alarm Mode	5	<b>SPARE PARTS</b>	
Tahoe - Time and Speed Dosing	6	100 Series Pumps	28-29
Sierra - All Mode Dosing with Advanced Functions	6-7	100 Series Pumps - Tube Kits	29-30
Sierra I - At the Peak of Conductivity	7	8 oz Pumps	31
Fittings for Warewash Dispensers	8	8 oz Pumps - Tubing Options	32
<b>KITCHEN - ENCAPSULATED PRODUCT BOWLS</b>		600 Series Pumps	33-34
W-6000 - Dry Detergent Reservoir	8-9	2000 Series, 50 oz Pumps	35
W-5000 - Dry Detergent Reservoir	9	2000 Series, 50 oz Pump Tubes	36
<b>KITCHEN - SINK DOSING SYSTEMS</b>		<b>MISCELLANEOUS SPARE PARTS</b>	
Encapsulator - Dry Detergent Reservoir for Sink Filling	10	Bulk Tubing	36
Encapsulator Plus	10	Fittings	37
<b>JANITORIAL SYSTEMS</b>		Fuses, Batteries, Buzzers	37
Venturi-Based Proportioning System	11-12	Motors	37
Custom Graphics Bands	12-13	Mounting Rails and Brackets	37
<b>LAUNDRY - OPL SYSTEMS</b>		Printed Circuit Boards (PCB)	38
<b>NEW - LIN N' LOGIC</b>	14	Standpipes	38
Alpine - Domestic-Style Laundry Dosing	14	Strainers	38
L5000Plus - Time, Formula, Sequence, Relay & Tunnel Dosing	14-15	Switches and Switch Accessories	39
L5000XL - Time, Formula, Sequence, Relay & Tunnel Dosing	16-17	Terminal Barriers	39
<b>LAUNDRY - OPL MANIFOLD SYSTEMS</b>		Transformer and Power Supplies	39
Manifold QF - Flush Manifold	18-19	Valves	39
<b>LAUNDRY - TUNNEL MANIFOLD SYSTEMS</b>		Wiring	40
Tunnel Flush - Flush Manifold	19	Other Spares	40
<b>LAUNDRY - MULTIWASHER SYSTEMS</b>		Probes - Warewash Dispensers	40
ILS OPL - Central Dispensing for Laundry Products	20-21	<b>PUMP TUBE CHEMICAL RESISTANCE DATA</b>	41-42
ILS Max - Industrial Laundry System, Maximum	21-25	<b>PRODUCT VS. TUBING COMPATIBILITY</b>	42

# CATALOG LAYOUT

This catalog is color coded for each category.

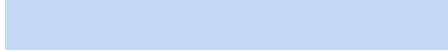
**Kitchen:**



**Janitorial Systems:**



**Laundry:**



**Specialty:**



**Spare Parts:**



## U S CHEMICAL/BETA TECHNICAL CUSTOMER SERVICE (TCS)

At U S Chemical/Beta, we know that superior equipment is just one piece of a world-class cleaning program. We firmly believe that the availability of “live”, in-depth support from dedicated equipment experts is an essential element to our complete service package. With this in mind, we are proud to introduce our Global Technical Customer Service (TCS) program. This program affirms our commitment to providing superior equipment, user-friendly, up-to-the minute documentation and training materials, consistent global communication, and a team of experts ready to help you.

Tech Service is available to you Monday thru Friday, 8:00 AM to 5:00 PM.

**Dave Oestreicher**

Training Department Manager  
dave.oestreicher@sealedair.com

**Cliff Mico**

Training Department  
cliff.mico@sealedair.com

**Deb Ebert**

Training Department Customer Support  
deb.ebert@sealedair.com

**U S Chemical Customer Service - Equipment**

1-800-424-1075  
www.beta-technology.com  
usc.customerservice@diversey.com



**Larry Larsen**

Regional TCS Lead-Europe,  
Africa, and Middle East  
larry.larsen@sealedair.com

**Rolla Medler**

Regional TCS Lead-Japan  
Cell (in Japan): 090-6506-5140  
Fax (in Japan): 046-822-6813  
Cell (outside of Japan): 81-90-6506-5140  
Fax (outside of Japan): 81-46-822-6813  
rolla.medler@sealedair.com



# GENERAL INFORMATION

**TERMS:** Terms are net 30 days with credit approval. All orders are F.O.B. factory. Minimum order charge \$60.00. Prices do not include applicable local, state, and federal taxes. U S Chemical/Beta customers must have prior authorization from Customer Service for excess stock returns. If approved, restocking charges may apply.

**CUSTOM LABELING:** Custom labeling is available for most Beta dispensing systems. Your company name, logo, or special product names can be pad printed onto our vinyl cover labels. Camera ready artwork is required. "Pantone Matching System" is used for color match. Please allow a minimum 3 week lead time for new artwork preparation after receipt. Minimum 50 units/year.

**PUMP DISPLACEMENT:** All referenced pump displacements (flow rates) are based on one centipoise water flow in a laboratory environment.

**PUMP TUBES:** Pumps are equipped with factory standard tubes (depending on available inventory) unless otherwise specified. Please refer to U S Chemical/Beta's ETB "Pump Tube Chemical Resistance Data" for chemical compatibility with the various pump tubes offered in our spare parts list in the back of this Product Portfolio.

**U S CHEMICAL/BETA DISCOUNT STRUCTURE:** Discount levels are structured so that the more a customer buys, the more discount they can receive:

Annual Volume	Discount Level
\$0 - \$9,999	0%
\$10,000 - \$19,999	10%
\$20,000 - \$29,999	20%
\$30,000 - \$39,999	30%
\$40,000 +	40%

Discount levels will be adjusted for any year in which a customer's volume is below that of a previous year such that a different discount level should apply in accordance with the guidelines above. Annual volume does not include logistics fees such as shipping, customs, and import duties. Returns are not included in annual volume. U S Chemical/Beta reserves the right to change this policy or pricing at any time

## LIMITED WARRANTY STATEMENT

Electronic Dispensing Systems manufactured or sold by U S Chemical/Beta are warranted against all defects in materials and workmanship for a period of one year from the date of original purchase. See terms below.

Pumps tubes, hoses, wire, mounting hardware, nozzles, injection fittings, foot valves and chemical lines are expendable items and not covered by this warranty.

The terms of this warranty include the replacement of faulty or defective components which are returned to U S Chemical/Beta accompanied with an RA number (Return Authorization). Any replacements required due to the following are NOT covered under warranty: abuse, misuse, tampering, chemical waste or failure to properly package equipment for return shipment; nor does it cover any consequential claims or liability resulting from the performance of the equipment.

Call 1-800-424-1075 for Technical Support.

**Replacement orders are charged until faulty parts are returned unless otherwise specified.**

# KITCHEN - WAREWASH SYSTEMS



## D3000 - All Mode Dosing, Two Alarm Mode

Code No.	Description
1209563	D3202, 2 pumps with 1/4" T noroprene detergent, 1/8" T flex rinse tube fittings, with full installation kit and 2 internal transformers
1209564	D3102R, 1 pump, 1 plastic solenoid with 1/8" T flex rinse tube fittings, with full installation kit and 2 internal transformers
1209565	D3303, 3 pumps with 1/4" T noroprene detergent, 1/8" T flex rinse tube fittings, with full installation kit and 2 internal transformers
1209566	D3203SR, 2 pumps, 1 metal solenoid with 1/4" T noroprene sanitizer, 1/8" T flex rinse tube fittings, with full installation kit and 2 internal transformers
1209808	D3202 2 pumps with 1/4" T noroprene detergent, 1/8" T flex rinse tube fittings, with full installation kit and 2 external transformers (packed separately with unit)
1209840	D3203SR, 2 pumps, 1 metal solenoid with 1/4" T noroprene sanitizer, 1/8" T flex rinse tube fittings, with full installation kit and 2 external transformers (packed separately with unit)
1209843	D3102R, 1 pump, 1 plastic solenoid with 1/8" T flex rinse tube fittings, with full installation kit and 2 external transformers (packed separately with unit)
1209567	D3000, sanitizer aux box with installation kit (097114)

All units come with 1/4" tube fittings for detergent and 1/8" tube fittings for rinse, except where otherwise indicated. Solid powder detergent injection fittings are included in bowl install kits. Full kits include standpipes, transport tubing, and probe wire.

**\*Uniview is to be ordered separately, needed to activate sanitizer pump.**

## D3000 - SPARE PARTS

Code No.	Description
E070027	*Uniview Programmer
5174835	PCB Assembly
1209662	Transformer, external, 115/230V, 24V w/fused terminal block
E066051	Solenoid Valve Repair Kit
1210920	Internal Transformer

\*Required for all 3 product dispensers

## D3000 - INSTALLATION ACCESSORIES

Code No.	Description
1208912	D3202 Full Installation Kit
1208913	D3102R Full Installation Kit
1208914	D3303 Full Installation Kit
1208915	D3203SR Full Installation Kit

Pump Spares: See 100 Series Spare Parts Pages 28-30

# KITCHEN - WAREWASH SYSTEMS

## TAHOE - Time and Speed Dosing

Code No.	Description
1205356	Tahoe Detergent Pump - includes tubing & bulkhead fitting 115/230V (Wired for 230V, install kit not included)
1205357	Tahoe Rinse Pump- includes rinse tube & rinse injector fitting pump (Wired for 230V, install kit not included)
1202198	Install kit for Tahoe Detergent Pump- 1/4" tubing & standpipes

Standard tubing is Norprene detergent and Flex rinse. Tahoe's are 115/230 VAC, prewired for 230 VAC. All Tahoe's come with chemical injection fittings and mounting screws.



## TAHOE - SPARE PARTS

Code No.	Description
087176	PCB Assembly for Tahoe / D250
E270004	Mounting bracket, stainless steel for 115/230 VAC unit
E430034	Remote Switch

Pump Spares: See 100 Series Spare Parts Pages 28-30

## SIERRA - All Mode Dosing with Advanced Functions

Code No.	Description
1201193	Three Product - Pump types (liquid detergent, liquid rinse, liquid sanitizer)
1201189	Three Product - Pump types/solenoid included (detergent solenoid - brass, liquid rinse, liquid sanitizer)
1201191	Three Product - Pump types/solenoid included (detergent solenoid - plastic, liquid rinse, liquid sanitizer)
1201183	Two Product - Pump types/solenoid included (detergent solenoid - brass, liquid rinse)
1201185	Two Product - Pump types/solenoid included (detergent solenoid - plastic, liquid rinse)
1201187	Two Product - Pump types (liquid detergent, liquid rinse)

All units include install kits



## SIERRA - SPARE PARTS

Code No.	Description
069489	Main PCB assembly with VCP
087751	PCB Assembly, Power Supply, 100-264 VAC
E230166	Solenoid valve assembly, plastic
099312	Solenoid valve assembly, metal
041235	7/8" hole plug, all dispensers
090369	Strain relief 3/4"
069666	Sierra cover label
E270005	Mounting bracket

# KITCHEN - WAREWASH SYSTEMS

## SIERRA - INSTALLATION ACCESSORIES

Code No.	Description
1201231	Add-on Sanitizer Pump with tubing
1201240	Add-on Pump with Detergent Tube
1201180	Low level drum and alarm lance for 5 gal pail
1203503	Low level drum lance, 30 - 55 gal. pail (alarm probe)
1202561	Remote Pressure Switch

Pump Spares: See 100 Series Spare Parts Pages 28-30

## SIERRA I - At the Peak of Conductivity

Code No.	Description
1211706	Sierra I, 2 Pump
042625	Relay switch
1211708	Installation Kit for Sierra I

Call for options. Nylon and Stainless Steel rinse injectors available.

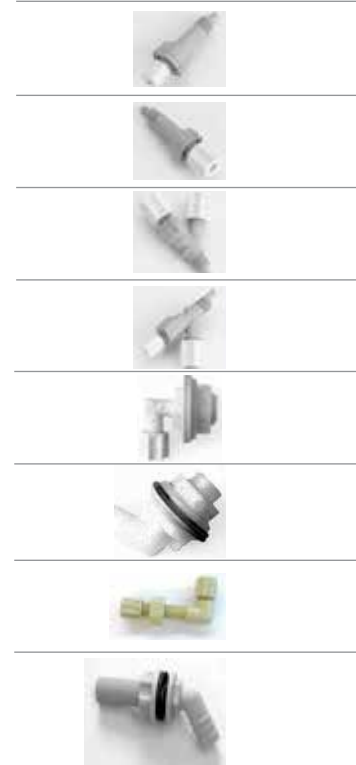
## SIERRA I - CONTENTS OF INSTALL KIT (1211708)

Code No.	Description
041772	Bulk tubing, Polyethylene, 0.250" OD, white, for all dispensers (per ft)
051606	Blank pump plate (2 each)
E413004	Power cord, Strain relief
1208655	Air adjustment valve 1/8" MPT to 1/4"T (2 each)
1208641	PFTG, elbow, swivel, 1/4"NPT x 1/4"T
1203598	Pail mounting bracket, mounts to 5 or 6 gallon pails
EQ0014001	Tie wraps, 7.5" long, nylon, natural color (10 each)
099686	Cable, 2 conductor, 18 ga., blue/brown (per ft)
1206997	Cable, 7 conductor, 20 ga., Sierra (per ft)
041235	7/8" hole plug, all dispensers

# KITCHEN - WAREWASH SYSTEMS

## FITTINGS FOR WAREWASH DISPENSERS

Code No.	Description
051467	Straight Rinse Injector Fitting - Nylon body, Viton valve, Polypropylene tube connection (1/8" tube connection, 1/8" MPT check valve)
051466	Straight Rinse Injector Fitting - Nylon body, Viton valve, Polypropylene tube connection (1/4" tube connection, 1/8" MPT check valve)
051465	Combination Rinse or Sanitizer w/Pressure Switch Fitting - Nylon body, Viton valve, Polypropylene tube connection (1/4" tube connection-both, 1/8" MPT check valve)
035876	Combination Rinse or Sanitizer w/Pressure Switch Fitting - Nylon body, Viton valve, Polypropylene tube connection (1/8" & 1/4" tube connection, 1/8" MPT check valve)
022031	Single - Wall Tank 90 Degrees BulkHead Fitting - Polypropylene (1/4" tube connection, 22mm pipe connection, 7/8" bulkhead hole)
035542	Single - Wall Tank 70 Degrees BulkHead Fitting - Polypropylene (Barb 16mm, 5/8" ID tube connection, 22mm pipe connection, 7/8" bulkhead hole)
EQ0065498	Single - Wall Tank 90 Degrees BulkHead Fitting - Polypropylene (6 mm tube connection, 3/8" pipe connection/bulkhead hole)
E076012	Double - Wall Tank 70 Degree Bulkhead Fitting (shipped only from U.K. warehouse) - Polypropylene (23mm OD X 16mm ID tube connection, 22mm - 32mm (7/8" - 1.25") pipe connection/bulkhead hole)



## KITCHEN - ENCAPSULATED PRODUCT BOWLS

### W-6000 - Dry Detergent Reservoir

Code No.	Description
040529	W-6000 gray bowl with 84 degree blue spray nozzle
040535	W-6000 gray bowl with 50 degree grey spray nozzle
040538	W-6000 gray bowl with black slow-feed nozzle



### W-6000 - SPARE PARTS

Code No.	Description
036886	Screen, gray
036888	Spring retainer, gray
042115	Compression spring
022019	Vacuum breaker, metal
093826	Vacuum breaker, plastic
1201620	Nozzle assembly, 50 degree, 0.7 GPM for solid products, gray
1201621	Nozzle assembly, slow feed, 120 degree, 1.046 GPM for powder products, black
E239088	Nozzle assembly, 84 degree, 0.87 GPM for solid/presoak products, blue



# KITCHEN - ENCAPSULATED PRODUCT BOWLS

## W-6000 - SPARE PARTS continued

035542	Single - Wall Tank 70 Degrees Bulkhead Fitting - Polypropylene (Barb 16mm, 5/8" ID tube connection, 22mm pipe connection, 7/8" bulkhead hole)
1204048	Polypropylene tubing, 6mm ID x 9mm OD
E269091	Sprayer Interlock

## W-6000 - INSTALLATION ACCESSORIES

Code No.	Description
035830	Install kit with metal vacuum breaker
093828	Install kit With plastic vacuum breaker
035829	Install kit only, no vacuum Breaker

## W-5000 - Dry Detergent Reservoir



Code No.	Description
4126823	W-5000 gray bowl with 84 degree nozzle, plastic vacuum breaker and integrated solenoid valve
017349	W-5000 gray bowl with 84 degree nozzle, plastic vacuum breaker and no solenoid valve

## W-5000 - SPARE PARTS

Code No.	Description
1201620	Nozzle assembly, 50 degree, 0.7 GPM for solid products, gray
1201621	Nozzle assembly, slow feed, 120 degree, 1.046 GPM for powder products, black
E239088	Nozzle assembly, 84 degree, 0.87 GPM for solid/presoak products, blue
1204048	Polypropylene tubing, 6mm ID x 9mm OD
E269091	Sprayer Interlock
4389771	Brass solenoid valve, 24 VDC

## W-5000 - INSTALLATION ACCESSORIES

Code No.	Description
095965	Plastic vacuum breaker kit
035644	W-5000 installation kit
087551	Cable Assembly, 2 conductor, 18GA, QDCS

# KITCHEN - SINK DOSING SYSTEMS

## ENCAPSULATOR - Dry Detergent Reservoir Sink Filling

Code No.	Description
094417	Encapsulator with plastic vacuum breaker, internal valve - solid product, screenless bottle only, 50 degree, 0.6 GPM nozzle
094104	Encapsulator with metal vacuum breaker, internal valve - solid product, screenless bottle only, 50 degree, 0.6 GPM nozzle
094416	Encapsulator with plastic vacuum breaker, internal valve - powder or solid product, slow feed, 0.87 GPM nozzle
094415	Encapsulator with metal vacuum breaker, internal valve - powder or solid product, slow feed, 0.87 GPM nozzle



Installation kit includes 5 feet of clear 0.75" ID PVC tubing and mounting hardware.

## ENCAPSULATOR PLUS

Code No.	Description
1202808	Encapsulator Plus with plastic vacuum breaker, external valve - powder or solid product, slow feed, 0.87 GPM nozzle
1202807	Encapsulator with plastic vacuum breaker, external valve - solid product, screenless bottle only, 0.6 GPM nozzle



## ENCAPSULATOR PLUS - SPARE PARTS

Code No.	Description
021432	Nozzle tip, misting, solid
EQ0057720	Upper nozzle insert, solid
057718	Spool valve, grey
096398	Ball valve, 2 way
EQ0057062	Vacuum breaker, brass
1201621	Nozzle assembly, slow feed, 120 degree, 1.046 GPM for powder products, black
E239088	Nozzle assembly, 84 degree, 0.87 GPM for solid/presoak products, blue
094414	Nozzle, insert, powder
094412	Shield assembly, powder
042115	Compression spring
059013	Shoulder washer
057059	Bypass O-ring
1203477	Pipe fitting nipple, 3/8" x 7 3/4" long CPVC
094134	Nozzle screen assembly, solid

## ENCAPSULATOR PLUS - INSTALLATION ACCESSORIES

Code No.	Description
040091	1/8" MPT saddle valve, Saddle clamp, 1/8", brass
1209920	Low pressure needle valve
021288	Hose hanger

# JANITORIAL SYSTEMS

## BETAJET - Venturi-Based Proportioning System



Code No.	Description
1203876	Low Flow, A-Gap Betajet
6061875	High Flow, A-Gap Betajet
1203878	Low Flow, R-Gap Betajet
1203877	High Flow, R-Gap Betajet
1204875	Low Flow, A-Gap Betajet (Spanish)
1204874	High Flow, A-Gap Betajet (Spanish)
1204877	Low Flow, R-Gap Betajet (Spanish)
1204876	High Flow, R-Gap Betajet (Spanish)
1204835	Low Flow, A-Gap Betajet (Japanese)
1204836	High Flow, A-Gap Betajet (Japanese)
1204833	Low Flow, R-Gap Betajet (Japanese)
1204834	High Flow, R-Gap Betajet (Japanese)

All units include mounting hardware, metering pegs, foot valve, ceramic weight and chemical inlet/discharge tubing. When mounting BetaJet's together, connect them with the water supply interconnect, separate order item 1202026\*

## BETAJET - SPARE PARTS

Code No.	Description
1204045	Hose clip, anti-foam hose
059114	Y fitting, 3/4"FGM x 2 3/4" MGH with ball valves
1200523	R-Gap rubber sleeve, High Flow and Low Flow
1204149	R-gap high flow nozzle (all R-Gap parts and o-rings included)
1204148	A-gap high Flow nozzle (all A-Gap parts and o-rings included)
1202024	A-gap low Flow nozzle (all A-Gap parts and o-rings included)
1204124	A-Gap + venturi high-flow assembly, plus valve assembly
1204126	A-Gap + venturi low-flow assembly, plus valve assembly
1204125	R-Gap + venturi high-flow assembly, plus valve assembly
1204127	R-Gap + venturi low-flow assembly, plus valve assembly
1204115	Eductor, low flow
1204109	Eductor, high flow
1202027	Hose fitting assembly with washer
1204098	Backplate
1204057	Metering peg set
1204153	Bottle fill tube, Betajet
1204102	Cover, Betajet, Grey
1200766	Strainer mesh sock, Betajet
5370351	Retaining clip, blue
1204103	Cover removal C-Clip
1200552	Ceramic sinker
1202017	Wishbone Assembly
1200546	O-ring water connector
1204202	Valve diaphragm repair kit
1200932	Foot valve 1/4"B, 3/8"B, 1/2"B (Viton) and strainer (break tank), Betajet/ILS OPL
1200931	Inline check valve, Viton, barb connection for 1/4", 3/8" 1/2" ID tubing, ILS OPL
1202073	Discharge tubing, high flow, 5/8" ID x 13/16" OD, 5' long

# JANITORIAL SYSTEMS

## BETAJET - INSTALLATION ACCESSORIES

Code No.	Description
1202026	Water supply interconnect (for connecting Betajets)
1202018	Kitchen sticker kit
017286	Water supply hose, 1/2" ID, 6' long, M-F connections
1202174	Ultra dilution capillary tube
EQ0014909	Adaptor fitting, brass 3/4" MGH x 3/8" FPT
016646	Copper tubing connection, 3/8" MPT x 3/8" T (use with 014909 for copper tube connection)
1207777	Cap for gallon bottle with 1/2" hole for clean tube

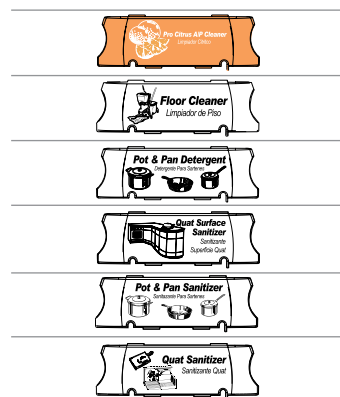
## BETAJET - WIRE RACKS AND LOCK

Code No.	Description
04580	Wire Rack, 1 x 1 gallon
1208295	Wire Rack, 1 x 1 gallon, lockable
1208906	Wire Rack, 2 x 1 gallon, lockable



## BETAJET - CUSTOM GRAPHICS BANDS

Code No.	Description
1204663	Graphics Band, Orange, Pro Citrus A/P Cleaner
1204665	Graphics Band, White, Floor Cleaner
1204674	Graphics Band, White, Pot & Pan Detergent
1204799	Graphics Band, White, Quat Surface Sanitizer (Counter)
1204640	Graphics Band, White, Pot & Pan Sanitizer
1204648	Graphics Band, White, Quat Sanitizer



# JANITORIAL SYSTEMS

## BETAJET - CUSTOM GRAPHICS BANDS continued

	1205293	Graphics Band, Red, Degreaser
	1204667	Graphics Band, Red, Germicidal Cleaner
	1204668	Graphics Band, Red, Oven & Grill Cleaner
	1204583	Graphics Band, Red, Floor Cleaner
	1204675	Graphics Band, Blue, Flatware Presoak
	1204641	Graphics Band, Blue, Glass Cleaner
	1205298	Graphics Band, Blue, Glass Cleaner
	1205300	Graphics Band, Blue, Pot & Pan Detergent
	1204669	Graphics Band, Green, Degreaser Cleaner (Mop & Bucket)
	1204670	Graphics Band, Green, Degreaser Cleaner (Oven)
	1204662	Graphics Band, Green, Bathroom Cleaner
	1204642	Graphics Band, Green, Pot & Pan Detergent
	1205294	Graphics Band, Green, Disinfectant Cleaner
	1205301	Graphics Band, Green, Sanitizer
	1204671	Graphics Band, Teal, Disinfectant Cleaner
	1204646	Graphics Band, Teal, Tub & Tile
	1204582	Graphics Band, Teal, Presoak
	1204613	Graphics Band, Mixmate, Red, All Purpose Cleaner/Degreaser (B)
	1204615	Graphics Band, Mixmate, Green, Germicidal Cleaner (D)
	1204616	Graphics Band, Mixmate, Orange, Reduce Slip Floor Cleaner (E)
	1204619	Graphics Band, Mixmate, White, Shurguard Plus (H)
	1204621	Graphics Band, Mixmate, White, Citrus Neutral Cleaner (I)
	1204622	Graphics Band, Mixmate, Orange, QuarryGrip (L)



# LAUNDRY - OPL SYSTEMS

## LIN N' LOGIC

Code No.	Description
6155151	Lin N' Logic dispenser for micro processor laundry - 110V
6155169	Lin N' Logic dispenser for micro processor laundry - 220V
6155193	Lin N' Logic dispenser for micro processor laundry - 24V



**NO DISCOUNTS ON LIN N' LOGIC.**

## ALPINE - Domestic-Style Laundry Dosing

Code No.	Description
1201039	Alpine, 2 pumps, high-flow flex pump tubes with 3/8" (10 mm) barb fittings
1201038	Alpine, 3 pumps, high-flow flex pump tubes with 3/8" (10 mm) barb fittings



## ALPINE - SPARE PARTS

Code No.	Description
1201065	PCB
087751	PCB assembly, power supply, 90-264 VAC
042625	Relay switch

## ALPINE - INSTALLATION ACCESSORIES

Code No.	Description
4570676	Remote switch box without lockout, L-2200/Mesa/Alpine
1205283	Alpine Installation Kit, 2 pump with standpipes and power cord
1201180	Low level drum and alarm lance (requires 1 x 1201005 connector not included), for 5 gal pail
041754	Power supply cord
E413004	Power cord strain relief

Pump Spares: See 100 Series Spare Parts pgs. 28-30

## L5000Plus - Time, Formula, Sequence, Relay & Tunnel Dosing

Code No.	Description
1209635	L5000Plus, 3 Pumps, 600 Series
1209636	L5000Plus, 4 Pumps, 600 Series
1209637	L5000Plus, 5 Pumps, 600 Series
1209638	L5000Plus, 6 Pumps, 600 Series
5186289	L5000Plus, Auxilliary Pump Box, 600 Series
1201354	XL Programmer, All modes, all data screens. Includes 25' cable screws and Velcro mounting



L5000Plus systems consist of a pump box and a trigger module. A programmer is needed to install the unit and for formula selection, but you don't need to leave one connected to the system after a Relay Mode, coin-op or single-formula installation. Trigger module is mounted internally but can be removed to install externally.

# LAUNDRY - OPL SYSTEMS

## L5000PLUS - SPARE PARTS

Code No.	Description
E090015	Pump box drive PCB (Main)
069133	PCB, Power Supply
E172002	Cable, L5000COM, 25'
068643	Communication cable 10"
097093	Pump motor cap
041747	Cable, 2 conductor, 22 ga., Sierra/ H-3000E/NS-1000E/ DR-2000
1202252	Cable converter, USB/RS232 for ManageNet (ILS/ILS MAX)
026131	Screw, panhead, phillips, SS, 8/32 x 3/8
1202534	Power cord, Summit E/P400P/L5000Plus

## L5000PLUS - INSTALLATION ACCESSORIES

Code No.	Description
1209907	Harness, Pump Driver
1207655	Wire harness for 600 series single pump
1208447	TR8000L - Includes 25' cable and velcro mounting
1205364	Data PCB, stores and reports data to ManageNet
099050	ManageNet Win for laundry, 1 per system
E172003	Cable extension kit - 25' for communication between pump box & TR8000L as well as TR8000L & programmer, Summit E
1201029	Cable - 24" for communication between pump box & TR8000L as well as TR8000L & programmer, as well as TR-6000 & programmer
1204588	Cable - 100' for communication between pump box & TR8000L as well as TR8000L & programmer
1201180	Low level drum and alarm lance for 5 gal pail
1203503	Low level drum lance, 30 - 55 gal. pail (alarm probe)
1200452	Sonic alarm, 24 VAC, L5000Plus/Sierra
1208155	Standpipe, 1/2" ID, schedule 80 PVC, with 1/2"B fitting, 34" long
1207657	Straight fitting, 1/2" MPT x 3/8" B (allows use of large standpipe with 3/8" ID tube), ILS OPL
1202522	Standpipe & Foot valve, 34" long, 1/2" ID, 1/2" FPT with 1/2" B fitting, requires 1207657 to use with 3/8" ID tube, Summit XL
E281152	Hose fitting straight reducer 1/2B - 3/8B, Straight tube fitting 3/8"B x 1/2"B, output
1202756	Snap-on standpipe, 1/2" ID x 18" long, PVC, ILS OPL
025702	Straight hose fitting, 3/8"B x 3/8"B, Plastic, MI-1000

Pump Spares: See 600 Series Spare Parts Pages 33-34

## L5000PLUS - INSTALLATION KITS

Code No.	Description
069902	Install kit for 3 pumps (100' of 3/8" ID EVA transport tubing, 26' of 7 conductor cable, 3 standpipes, hose clamps, and 3 foot valves)
069903	Install kit for 4 - 6 pumps (150' of 3/8" ID transport tubing, 10 hose clamps, and 20' of 10 conductor wire) Not used with flush manifold

# LAUNDRY - OPL SYSTEMS

## L5000XL - Time, Formula, Sequence, Relay & Tunnel Dosing



Code No.	Description
1201354	XL Programmer, All modes, all data screens. Includes 25' cable, screws, and velcro mounting
1208447	TR8000L - Includes 25' cable and velcro mounting

A L5000XL system consists of a main pump box.  
**(Programmer and TR8000 Installation kits sold separately).**



## L5000XL - MAIN PUMP BOXES

Code No.	Description
1202187	L5000XL 6, 2000 Series
1202420	L5000XL 5, 2000 Series
1202658	L5000XL 4, 2000 Series
1201458	L5000XL 2, 2000 Series & 4, 600 Series
1201461	L5000XL 2, 2000 Series & 2, 600 Series

## L5000XL - AUXILIARY PUMP BOXES

Code No.	Description
1201261	L5000XL 2, 2000 Series
1201259	L5000XL 1, 2000 Series
1201260	L5000XL 2, 600 Series
1201258	L5000XL 1, 600 Series

## L5000XL - SPARE PARTS

Code No.	Description
E090015	Pump box drive PCB (Main)
1206790	PCB, Power supply
1202534	Power cord, Summit E/P400P/L5000Plus
041747	Cable, 2 conductor, 22 ga., Sierra/ H-3000E/NS-1000E/ DR-2000
1202252	Cable converter, USB/RS232 for ManageNet (ILS/ILS MAX)
026131	Screw, panhead, phillips, SS, 8/32 x 3/8



# LAUNDRY - OPL SYSTEMS

## L5000XL - INSTALLATION ACCESSORIES

Code No.	Description
1205364	Data PCB, stores and reports data to ManageNet
099050	ManageNet Win for laundry, 1 per system
E172003	Cable extension kit - 25' for communication between pump box & TR8000L, as well as TR8000L & programmer, Summit E
1201029	Cable - 24" for communication between pump box & TR8000L, as well as TR8000L & programmer, also TR-6000 as well as TR-6000 & programmer
1204588	Cable - 100' for communication between pump box & TR8000L, as well as TR8000L & programmer
E172002	Cable, L5000COM, 25'
1201180	Low level drum and alarm lance for 5 gal pail
1203503	Low level drum lance, 30 - 55 gal. pail (alarm probe)
1200452	Sonic alarm, 24 VAC, L5000Plus/Sierra
1201005	Alarm I/O connector used for optional sonic alarm output and low level sensor input option (If both used, order 2 per Summit E)
1202756	Snap-on standpipe, 1/2" ID x 18" long, PVC, ILS OPL
1202522	Standpipe & Foot valve, 34" long, 1/2" ID, 1/2" FPT with 1/2" B fitting, requires 1207657 (not included) to use with 3/8" ID tube, Summit XL
1207657	Straight fitting, 1/2" MPT x 3/8" B (allows use of large standpipe with 3/8" ID tube), ILS OPL
035297	Backflow prevention valve only, Brass
090369	Strain relief 3/4"
1202523	Standpipe & foot valve, 3/4" ID, 3/4" FPT with 3/4" B fitting, 34" long, Summit XL

Pump Spares: See 600 or 2000 Series Spare Parts Pages 33-36

# LAUNDRY - OPL MANIFOLD SYSTEMS

## MANIFOLD QF - Flush Manifold

Code No.	Description
1210912	OPL flush manifold, 3 port with strainer, with 3 clog-resistant check valves, 60 psi flow washer and plug
1210911	OPL flush manifold, 6 port with strainer, with 6 clog-resistant check valves, 60 psi flow washer, and plug
1210910	OPL flush manifold, 8 port with strainer, with 8 clog-resistant check valves, 60 psi flow washer, and 2 plugs
1210909	XL flush manifold, 8 port with 4 hole plugs, with 6 clog-resistant check valves, flow switch, pressure switch, 60 psi flow washer, water strainer, and brass solenoid



## MANIFOLD QF - SPARE PARTS

Code No.	Description
1207428	Cable, 3-8 port, for QF manifold
1207437	Cable, 8 port, XL, for QF manifold
5370369	Manifold tee piece QF
1207495	NRV Manifold Water Inlet, Blue, Barbed, QF
5370377	NRV Manifold Air Inlet, Yellow, QF
5370385	NRV Manifold Chemical, Grey, Barbed QF
1207496	Manifold Male Hosetail, Barbed QF
5370393	Blanking Plug, PP QF
1209016	Female hosetail & retaining clip
5370326	Solenoid Valve Kit 24 VDC Manifold QF
5370431	Pressure Switch, 25 psi (for 1204845)
5370351	Retaining clip, blue
5370422	Flow Switch and Valve Body Assembly
5370406	Hose Tail Adapter 1/2"M, with O-rings
1205461	Pressure Regulator, 1/2" 15-150 psi, brass use if dynamic pressure is over 50 psi
1205462	Pressure gauge 0-100 psi (for use with 1205461 regulator)
1211428	Adapter, hosetail, 1/2 FEM + Clip

## PRE QF MANIFOLD - INSTALLATION ACCESSORIES

Code No.	Description
4943102	Flush manifold inline water strainer, 80 mesh, 3/8" FTP
1200766	Strainer mesh sock, Betajet
E096058	Sour flush kit (T-fittings)
035297	Backflow prevention valve, Brass
094024	Grey check valve, 1/4" MPT, 3/8" B, ILS OPL
1203940	Solenoid valve spare for flush manifold (for manifold 069293 only)
E230054	Adapter, flow switch to manifold (for manifold 069293 only)
E230152	Check valve for flush manifold (3/8" B, 1/4" MPT) 10 pack, Flush Manifold
094332	Solenoid valve for XL flush manifold
1207661	Flow switch without harness, XL manifold, grey, for OPL and XL, without QCD terminals
1204861	"E" manifold harness (for 1204843, 1204844, 1205620, 1207573)
1206897	PCB for manifold using "E" pump box PCB's (small PCB)

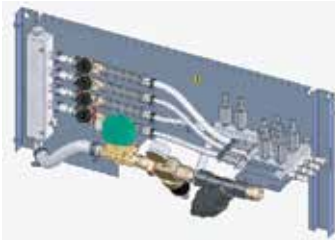
# LAUNDRY - OPL MANIFOLD SYSTEMS

## PRE QF MANIFOLD - INSTALLATION ACCESSORIES continued

092357	Bulk tubing, reinforced 1/2"ID x 3/4" OD, 200' roll, ILS
1208761	Nylobraid hose, Bulk tubing, reinforced 1/2" x 50' roll, ILS MAX
E290026	Flow switch without harness, black (for older OPL and XL manifolds)
E290033	Flow switch with harness, black (for older OPL and XL manifolds)
1208837	Check valve with white teflon ball (use with bleach)
1205886	Manifold complete, additional smart pump module
1205887	Manifold complete, initial smart pump module
1207660	HFTG, tee, 3/8"B, polypropylene, natural color
1208352	Main manifold complete, ILS Max

# LAUNDRY - TUNNEL MANIFOLD SYSTEMS

## TUNNEL FLUSH - Flush Manifold



Code No.	Description
1204846	Tunnel flush manifold
1204847	Submanifold expansion kit (for 5th injection point)

Installation kit contains: two 1/4 MPT plugs, sixteen 1/4-5/8 hose clamps, four 5/16 -7/8 hose clamps, ten tie wraps, 15 feet of 3/8" nylobraid tubing.

## TUNNEL FLUSH - SPARE PARTS

Code No.	Description
094024	Grey check valve, 1/4" MPT, 3/8" B, ILS OPL
1206789	Installation kit Tunnel Flush Manifold
1205268	Mounting bracket
4580516	Flow switch with harness, XL manifold, grey for OPL and XL, with QCD terminals, Tunnel Flush Manifold
5370431	Pressure Switch, 25 psi (for 1204845)
1204860	Manifold harness
1205321	PCB assembly
1205266	Pressure switch harness

# LAUNDRY - MULTIWASHER SYSTEMS

## ILS OPL - Central Dispensing for Laundry Products

Code No.	Description
1207746	Main Module with 4 chemical & 2 transport (washer) pumps, 1 ea.
E450051	Transformer, 120 - 240 VAC, 150 VA, 1 per system (US)
055697	Power supply for 097906
E075012	Empty Single Auxiliary Pump Housing (without pumps) Holds 1 chemical pump & 1 transport pump, as required
E075014	Auxiliary Chemical Pump Motor Kit (20 oz), as required
E075013	Auxiliary Transport Pump Kit (MK3), 1 per washer
E076022	TR-7000 Trigger Module Kit AC with cables, 1 per washer
094479	Betalink cable, 5 channel, shielded, 22 AWG used as pumpbox to TR-7000 & washer interface module communicator cable, 100'
E076023	Protocol Converter with power supply, as required
E070036	FS-1600 Formula Select Module, as required for manual formula select
099050	*ManageNet Win for laundry, 1 per system
017425	Transport tubing, 3/8" OD, polyethylene, 100'
092357	Bulk tubing, reinforced 1/2"ID x 3/4" OD, 200' roll, ILS



ILS OPL's main module will hold 1 additional chemical pump and 1 additional transport pump for a maximum total of 5 chemical and 3 transport pumps. For each additional transport and/or chemical pump, order 1 aux box. Installation accessories sold separately. To add washer hold and proof of delivery, add one washer interface kit E076010. ILS OPL is only available for sale to locations within the U.S.A., for installations within the U.S.A.

## ILS OPL - INSTALLATION ACCESSORIES

Code No.	Description
E076010	Washer interface kit with POD alpha bus, only used for POD and washer hold
1209959	TR-7000 AC/DC, alphabus (requires harness 050587) Only used for additional data logging of washer signals. Not required for load counts and chemical cost tracking. Trigger module, (7 channel) AC/DC without cables. As required for: 1) 10 chemicals 2) Formula select above 8 formulas
093243	Installation kit , OPL (includes transformer E450051, water hose and power cord)
059728	Bracket, trigger module
051666	Check valve, siphon breaker, optional
1202252	Cable converter, USB/RS232 for ManageNet (ILS/ILS MAX)

## ILS OPL - SPARE PARTS

Code No.	Description
041747	Cable, 2 conductor, 22 gal., Sierra/ H-3000E/NS-1000E/ DR-2000
067260	International Transformer, PWR, 230V, 24 VAC, 150 VA, CE
093734	LCD display with jumper
E454040	Probe, CP3412, POF with thermistor
E430058	Float switch, break tank
E070034	Washer interface, module only
050588	Harness, machine triggers (striped color)
050587	Chemical trigger harness (7 channel) As required for additional trigger module (ILS/ILS MAX)
094136	Aerator, faucet, 3/8" BFT, 22 GPM
050579	Rail, mounting, 34" SST, ILS/ILS MAX
E070045	Printed circuit board, pump box, MK3 version
E292062	Solenoid valve, brass

# LAUNDRY - MULTIWASHER SYSTEMS

## ILS OPL - SPARE PARTS continued

E201032	Spare key - 52954
E262024	Transport pump, valve kit, MK3, Viton (ILS MAX T & OPL only)
E236061	Transport pump, complete, MK3
E290057	Pump head, transport, MK3, 3" Viton valve (ILS MAX T & OPL only), 1.65 GPM
063446	Seal for POF/POD cell
096093	Water strainer / filter assy , 1/2" FPT, Polypropylene, 20 mesh, ILS MAX/ILS OPL
E281220	Tube insert for 0.375" bore tube, Tube insert, barb, 3/8" x 1/2" connection, 20 oz pumps
E422033	Circuit breaker, 5 A
097073	Aerator
1200932	Foot valve 1/4"B, 3/8"B, 1/2"B (Viton) and strainer (break tank), Betajet/ILS OPL
1207700	Label, ILS OPL overlay
093624	PVC Standpipe assembly, 3/4", 34" long

## ILS MAX - Industrial Laundry System, Maximum



Code No.	Description
068484	Main module with 6 each 3L/min chemical pumps & manual, 1 each
E075009	Break Tank Module, 1 per system
E450048	Transformer, 24 VAC - 500 VA, 1 per system
1205867	Auxiliary Pump Box (with 2 each, 3L/min chemical pumps) As required for: 1) More than 6 chemicals 2) One or more 6L/min chemical pumps
1205826	Initial Smart Transport Pump Module for washer-extractors (not for Tunnel applications), 1 per install (1 x 3 GPM diaphragm pump)
1205734	Additional "Smart" Transport Module for washer-extractors (not for Tunnel applications), 1-2 per washer (2 x 3 GPM diaphragm module)
E076010	Washer interface kit with POD alphas, only used for POD and washer hold
E076011	TR-7000 Trigger Module Kit AC/DC with cables (2 trigger module + 2 harness), 1 per washer, 1-2 per washer if no data logging is required
E076023	Protocol Converter with power supply, as required
E070036	FS-1600 Formula Select Module, as required for manual formula select
1209959	TR-7000 AC/DC, alphas (requires harness 050587) Only used for additional data logging of washer signals. Not required for load counts and chemical cost tracking. Trigger module, (7 channel) AC/DC without cables. As required for: 1) 10 chemicals 2) Formula select above 8 formulas
017443	Bulk tubing, Polyethylene, Break Tank, ILS MAX
099050	*ManageNet Win for laundry, 1 per system

# LAUNDRY - MULTIWASHER SYSTEMS

## ILS MAX continued





051284	Bushing, 1/4" Diameter plastic black (2 each)
041248	Bushing, snap, 11/16" ID x 7/8" OD
094479	Betalink cable, 5 channel, shielded, 22 AWG used as pumpbox to TR-7000 & washer interface module communicator cable (per ft)
041757	Alphabus cable, 4 cond., 22 AWG (CSA 0.35 MM2) per ft
051153	Plastic clip, adhesive back, 3/8" diameter
092358	Bulk tubing, reinforced PVC 0.625"ID x 0.90"OD (chemical uptake to pumps) , ILS, per ft

## ILS MAX - SPARE PARTS

Code No.	Description
041810	Clip, hose
041747	Cable, 2 conductor, 22 ga., Sierra/ H-3000E/NS-1000E/ DR-2000
057410	1" nylon hole plug, ILS Max
1211924	Firmware upgrade chip V3.01 ILS Max
1206832	Firmware upgrade chip V3.01 ILS Max, kit with extractor
041972	10' hose assembly
059275	Instructions, lock switch assembly
E236060	Transport pump, complete (ILS MAX T only) (Viton valve/Santoprene diaphragm) 1.65 GPM
014515	Bushing, 1/2"FPT x 3/4"MPT, brass
E290057	Pump head, transport, MK3, 3" Viton valve (ILS MAX T only), 1.65 GPM
041952	PFTG, Nipple, hex, 3/8"MPT x 1/2"MPT, brass
E236062	Transport pump, complete (ILS MAX only) (Viton valve/Santoprene diaphragm) 3 GPM
040987	Screw Panhead, 10/32" X 1/2" MPT S.S.
E262027	Transport pump, valve kit, Viton (ILS MAX only)
092917	PVC Standpipes, chemical uptake, 3/4", 46" long
E290064	Transport pump, head only, Viton (ILS MAX only), 3 GPM
098583	Transport pump, head only with elbow fitting, santoprene, 3 GPM
069580	Solenoid valve repair kit, ILS
042000	Bulkhead fitting, VP, 1/4" tube
097805	ShurFlo suction hose fitting, elbow, swivel
E281233	ShurFlo discharge fitting
096349	Siphon breaker check valve
1205732	Main manifold mounting bracket, chemical pump
1205729	Main manifold mounting bracket support
E422034	Circuit breaker, 250V, 15A
094479	Betalink cable, 5 channel, shielded, 22 AWG used as pumpbox to TR-7000 & washer interface module communicator cable, 100'
055697	Power supply for E076023
1205783	POF Filter assembly
E070031	PCB, model 100
EQ0057459	Ribbon cable
1205790	Viton o-ring (2 required for each male connection)
E070032	Printed circuit board, relay

# LAUNDRY - MULTIWASHER SYSTEMS

## ILS MAX - SPARE PARTS continued

	5775657	Printed circuit board, smart pump, ILS MAX & ILS MAX T
	1205811	Plastic elbow fitting, 3/4" B x 3/4" B
	026929	Tubing, 3/4" ID x 1.0" OD
	1202317	PCB, model 100, ILS MAX T
	059948	LCD display
	E290049	Flowmeter
	E454035	Probe, CP3411, POD without thermistor
	E454040	Probe, CP3412, POF with thermistor
	E292046	Solenoid valve transport module, ILS
	E070034	Washer interface, module only
	050588	Harness, machine triggers (striped color)
	E292047	Float valve with Rod
	098554	Barb fittings, 1/2" (2 each)
	055705	Straight fitting, 3/4" B x 1/2" MPT, polypropylene
	055707	Straight fitting, 1/2" B x 1/2" MPT, polypropylene, L5000 XL/ILS
	1200158	Fitting 1/2" SH, PVC
	055706	Elbow fitting, 3/4" B x 1/2" MPT, Polypropylene
	041957	Tee fitting, 1/2" FPT, PVC
	051301	Elbow fitting, 1/2" B x 1/2" MPT, Polypropylene
	041931	Bushing, 1/4" FPT x 1/2" MPT, PVC
	E281234	Shurflo straight fitting, 1/2" MPT X 1/2", Polypropylene
	063446	Seal for POF/POD cell
	094477	Chemical trigger harness
	E232010	Flow regulator, 3 GPM
	1209834	Harness, TR7000E, Short Y
	1206808	Transport pump bracket
	1205792	Manifold inlet fitting, male o-ring x MPT
	1205793	Manifold T fitting, female o-ring x male o-ring connections, without o-rings
	1205889	Manifold discharge fitting, female o-ring x MPT
	041909	Elbow tube fitting, 5/8" T x 1/2" MPT
	041934	Straight tube fitting, 5/8" T x 1/2" MPT, ILS MAX POD
	068488	ILS Max cover label
	E511216	Label spacer, ILS Max
	026131	Screw, panhead, phillips, SS

# LAUNDRY - MULTIWASHER SYSTEMS

## ILS MAX - CONTENTS OF INSTALLATION KIT (E063024)

Code No.	Description
E063024	Install Kit, 1 per system
051284	Bushing, 1/4" Diameter plastic black (2 each)
041248	Bushing, snap, 1 1/16" ID x 7/8" OD
051153	Plastic clip, adhesive back, 3/8" diameter
041810	Clip, hose
057410	Nylon hole plug, ILS Max
041972	10' hose assembly
059275	Instructions, lock switch assembly
014515	Bushing, 1/2"FPT x 3/4"MPT, brass
041952	PFTG, Nipple, hex, 3/8"MPT x 1/2"MPT, brass
040987	Screw Panhead, 10/32" X 1/2" MPT S.S.
092917	PVC Standpipes, chemical uptake, 3/4", 46" long
055702	Silicone tubing, 0.750" ID x 0.125"W, transparent
042000	Bulkhead fitting, VP, 1/4" tube
1205732	Main manifold mounting bracket, chemical pump
1205729	Main manifold mounting bracket support
1205783	POF Filter assembly
1205790	Viton o-ring (2 required for each male connection)
1205811	Plastic elbow fitting, 3/4"B x 3/4"B
026929	Tubing, 3/4" ID x 1.0" OD

## ILS MAX - FOR TUNNEL APPLICATIONS USE THE FOLLOWING COMPONENT PARTS

Code No.	Description
068483	Tunnel Kit (Includes manual), 1 per system
1205865	Initial Smart Transport Module for Tunnels, 1 x 1.5 GPM diaphragm per module
1205730	Additional Smart Transport Module for Tunnels, 2 x 1.5 GPM diaphragm per module
092369	Bulk tubing, polyflow, 1/2" OD, 100' roll, all dispensers

## ILS MAX - ACCESSORY KITS & OTHER INSTALLATION MATERIALS

Code No.	Description
051150	Chemical standpipe (drum lances) 3/4" x 46" long, PVC, dispenser large laundry
4198456	Strobe light, amber 12/24VAC/DC
1202252	Cable converter, USB/RS232 for ManageNet (ILS/ILS MAX)
059728	Bracket, trigger module
1209959	TR-7000 AC/DC, alphas requires harness 050587. Only used for additional data logging of washer signals. Not required for load counts and chemical cost tracking. Trigger module, (7 channel) AC/DC without cables. As required for: 1) 10 chemicals 2) Formula select above 8 formulas



# LAUNDRY - MULTIWASHER SYSTEMS

## ILS MAX - ACCESSORY KITS & OTHER INSTALLATION MATERIALS continued

050587	Chemical trigger harness (7 channel) As required for additional trigger module (ILS/ILS MAX)
041319	Cable tie wraps, large
051666	Check valve, siphon breaker (optional)
041757	Alphabus cable, 4 cond., 22 AWG (CSA 0.35 MM2)
041933	T fitting, straight, 1/2" T x 1/2" MPT, ILS MAX POD
041934	Straight tube fitting, 5/8" T x 1/2" MPT, ILS MAX POD
041305	Hose clamp, 5/16" - 7/8", Flush Manifold
043628	Velcro hook, 2" wide
043762	Velcro loop, 2" wide

\* Some combination of these parts is required for connection of tube to the POD cell, and from POD cell to the washer (typically 2 fittings per washer). The size, 1/2" or 5/8", is determined by the size of the transport tube serving the particular washer. See Spare Parts list for contents of installation kit.

## SPECIALTY

### DR-2000 - Clock-Based Chemical Feed System



Code No.	Description
1202356	DR-2000, 115 VAC
1202359	DR-2000, 230 VAC
1202354	DR-2000, D-Cell Battery
1202507	DR-2000, 115 VAC with Viton Tube
1202511	DR-2000, D-Cell Battery with Viton Tube

Each unit includes installation kit (1202593) with 25' of 1/4" tubing, tube guide, clamps, mounting screws or wall screws. No brackets are supplied with the DR-2000. **Note that batteries are not included with D-cell battery units.**

### DR-2000 - SPARE PARTS

Code No.	Description
E070005	Main PCB bezel assembly
E070006	Power PCB, 115 VAC
E269012	Battery holder, D-Cell
E451041	Motor gearbox, 6 VDC (DR-2000 only)
1202593	Installation kit
E270004	Mounting bracket, stainless steel for 115/230 VAC unit
058942	PCB battery (3V)

### DR-2000 - INSTALLATION ACCESSORIES

Code No.	Description
1202595	Low level alarm buzzer kit with strain relief
1201180	Low level drum and alarm lance for 5 gal pail
1203503	Low level drum lance, 30 - 55 gal. pail (alarm probe)

# SPECIALTY

## DR-2000 - INSTALLATION ACCESSORIES continued

069254	Mist kit, plastic nozzle, with 0.125" ID noprrene tube
1205256	Mist kit, plastic nozzle, without tube
1205257	Mist kit, metal nozzle, without tube
1201031	Mist kit, plastic nozzle with viton tube

Pump Spares: See 100 Series Pump Spares Pages 28-30

## POOL SHOT/POOL 2000

Code No.	Description
1208151	Pool Shot 115 Volt
1208150	Pool 2000 115 volt
1211908	Pool shot 230 volt
1211909	Pool 2000 230 volt

## SINGLESHOT - Microprocessor-Controlled Dosing System

SingleShot has a silicone tube, mounting bracket and installation kit (1202593) that includes 25 ft. of 1/4-inch tubing, standpipe, tie wraps and mounting hardware. Batteries are not included.

Code No.	Description
1203188	SingleShot, 115 VAC
1203187	SingleShot, D-Cell Battery



## SINGLESHOT - SPARE PARTS

Code No.	Description
4610359	Main PCB
E070006	Power PCB, 115 VAC
E451041	Motor gearbox, 6 VDC, (DR-2000 only)
1202593	Installation kit
1203598	Pail mounting bracket, mounts to 5 or 6 gallon pails
E269012	Battery holder, D-Cell

## SINGLESHOT - INSTALLATION ACCESSORIES

Code No.	Description
E430034	Remote Switch
067480	Opto-coupler for washer automatic trigger
E413004	Power cord strain relief

Pump Spares: See 100 Series Pump Spares Pages 28-30

# SPECIALTY

## CALIPER - LANGE SKINFOLD CALIPER



This is the leading caliper for the measurement of subcutaneous tissue in the healthcare profession.

The benefits of the caliper for the health professional are:

- Pivoted tips
- Constant pressure
- Face of tips: 30 sq mm
- Warranty: 1 year
- Scale: Up to 60 mm
- Working manual included
- Accuracy: +/- 1 mm

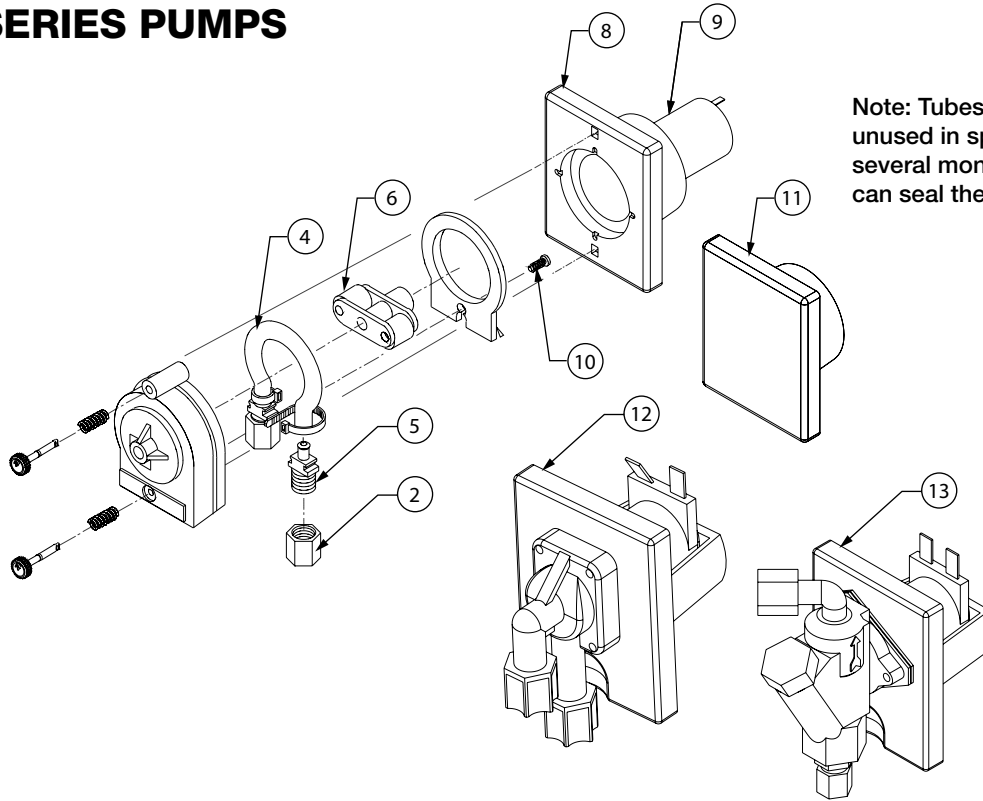
Code No.	Description
EQ0014921	Caliper w/case
010729	Calibration block

**TERMS:**

Net 30 days upon credit, C.O.D. Visa or Mastercard.  
Tax exempt certificate or local taxes.  
F.O.B. Plant - Sturtevant, WI. U.S.A.

# SPARE PARTS

## 100 SERIES PUMPS



Note: Tubes should not be left unused in spare cartridges for several months as they can seal themselves shut.

### 100 SERIES PUMPS - INDIVIDUAL PARTS

Code No.	Description
017458	No. 2, Tube fitting, nut, 1/8" T, rinse
043823	No. 2, Tube fitting, nut, 1/4" T, detergent/sanitizer
E281193	No. 5, Tube insert, 1/8" T, rinse
036969	No. 5, Tube insert, 1/4" T, detergent
E281209	No. 5, Tube insert, 1/4" T, sanitizer
096707	No. 6, Roller assembly, high flow flex tube only 0.25" ID
E451038	No. 8,9, Motor/gearbox, 24 VDC
E451041	No. 8,9 Motor gearbox, 6 VDC, (DR-2000 only)
051606	No. 11, Blank pump plate (2 each)
1206740	Assembled cartridge with roller and pins, no tube

### 100 SERIES PUMPS - SNAPHEAD COMPLETE SOLENOID VALVES

Code No.	Description
E230166	No. 12, Solonoid valve assembly, plastic
099312	No. 13, Solonoid valve assembly, metal

# SPARE PARTS

## 100 SERIES PUMPS - COMPLETE PUMP CARTRIDGE KITS

Code No.	Description
039556	No. 1-7, Pump cartridge, detergent, norprene tube, 1/4”T
E236059	No. 1-7, Pump cartridge, detergent, flex tube, 1/4”
EQ0057377	No. 1-7, Pump cartridge, sanitizer, norprene tube, 1/4”T
058210	No. 1-7, Silicone detergent tube, 1/4”T
058769	No. 1-7, EPDM detergent tube, 1/4” T
1203790	No. 1-7, Viton detergent tube, 1/4” T
058208	No. 1-7, Silicone rinse tube, 1/8”T
094204	No. 1-7, 0.25” ID high-flow flex detergent, 1/4” B
1203331	No. 1-7, 0.25” ID high-flow flex 3/8”B
096992	No. 1-7, Pump cartridge, detergent, flex tube, 10mm fitting
091940	No. 1-7, Pump cartridge, sanitizer, flex, 1/4”T x 1/4”T
092995	No. 1-7, Pump cartridge, rinse, flex, 1/8”T x 1/8”T

## 100 SERIES PUMPS - TUBE KITS

Tube Lubrication		Code No.	Description
<b>Code</b>	<b>Lubrication/ Application Instructions</b>	039553	Detergent capacity tube, norprene, 1/4”T-1/4”T, ID-0.188” (ID-4.77 mm) OD-0.313” (OD-7.95 mm) black color (E lubrication)
<b>B</b>	Vaseline (petroleum jelly)/ Coat the inside radius of tube along the path the roller will travel.	1203997	Detergent capacity tube, norprene, 6mm, ID-0.188” (ID-4.77mm) OD-0.313” (OD 7.95mm) black color (E lubrication)
<b>D</b>	Dow Corning 111/ Coat the inside radius of the cartridge which contacts the tube with 1mL of the lubrication.	5387486	Detergent capacity tube, flex high volume, 3/8”B-3/8”B, ID-0.25” (ID-6.35 mm) OD-0.375” (OD-9.53 mm) clear color (D lubrication)
<b>E</b>	Dow Corning 111/ Coat the entire outside surface of the tube.	1205302	Detergent capacity tube, solvent-resistant, 1/4”T-1/4”T, ID-0.188” (ID-4.77 mm) OD-0.313” (OD-7.95 mm) clear color (G lubrication)
<b>F</b>	Vaseline (petroleum jelly)/Coat the entire outside surface of the tube.	058209	Detergent capacity tube, silicone, 1/4”T-1/4”T, ID-0.188” (ID-4.77 mm) OD-0.313” (OD-7.95 mm) milk color (F lubrication)
<b>G</b>	PFPE/ Perfluoro Polyether (high end vaseline)	058550	Detergent capacity tube, EPDM (Nordel), 1/4”T - 1/4”T, ID-0.188” (ID-4.77 mm) OD-0.313” (OD-7.95 mm) black color (E lubrication)
		1200413	Detergent capacity tube, flex, high volume, 1/4”T-1/4”T, ID-0.25” (ID-6.35 mm) OD-0.375” (OD-9.53 mm) clear color (D lubrication)
		1201251	Detergent capacity tube, flex, high volume, 1/4”B - 1/4”B, ID-0.25” (ID-6.35 mm) OD-0.375” (OD-9.53 mm) clear color (D lubrication)
		1201094	Detergent capacity tube, viton with stainless steel clamps, 1/4”T-1/4”T, DR-2000, battery powered, ID-0.188” (ID-4.77 mm) OD-0.313” (OD-7.95 mm) black color (B lubrication)
		069928	Detergent capacity tube, viton, 1/4”T-1/4”T, DR-2000, line powered, ID-0.188” (ID-4.77 mm) OD-0.313” (OD-7.95 mm) black color (B lubrication)
		5174843	Detergent capacity tube, flex, 1/4”T-1/4”T, ID-0.188” (ID-4.77 mm) OD-0.313” (OD-7.95 mm) clear color (D lubrication)
		092849	Rinse capacity tubes, flex rinse, 1/8”T-1/8”T, ID-0.063” (ID-1.60 mm) OD-0.188” (OD-4.77 mm) clear color (D lubrication)
		1206792	Rinse capacity tubes, flex rinse, 1/4”T-1/8”T, ID-0.063” (ID-1.60 mm) OD-0.188” (OD-4.77 mm) clear color (D lubrication)
		1205464	Rinse capacity tubes, flex 1/4”T-1/4”T, ID-0.063” (ID-1.60 mm) OD-0.188” (OD-4.77 mm) clear color (D lubrication)

# SPARE PARTS

## 100 SERIES PUMPS - TUBE KITS continued

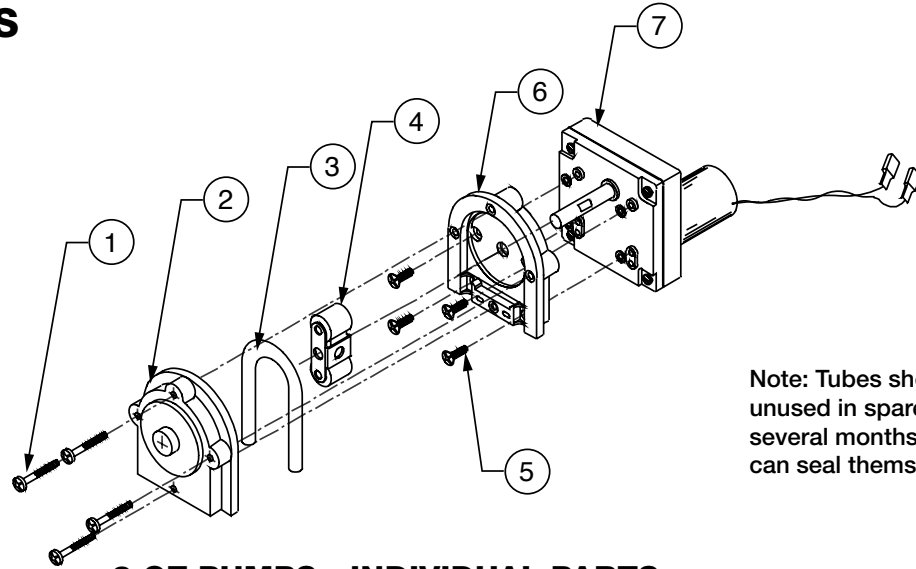
1206173	Rinse capacity tubes, flex, 1/8T x 4mm, ID-0.063" (ID-1.60 mm) OD-0.188" (OD-4.77 mm) clear color (D lubrication)
039552	Rinse capacity tubes, norprene 1/8"T-1/8"T, ID-0.063" (ID-1.60 mm) OD-0.188" (OD-4.77 mm) black color (E lubrication)
058207	Rinse capacity tubes, silicone 1/8"T-1/8"T, ID-0.063" (ID-1.60 mm) OD-0.188" (OD-4.77 mm) milk color (E lubrication)
1203652	Sanitizer capacity tubes, flex 1/4"T-1/4"T, ID-0.125" (ID-3.18 mm) OD-0.25" (OD-6.35 mm) clear color (D lubrication)
057203	Sanitizer capacity tubes, norprene 1/4"T-1/4"T, ID-0.125" (ID-3.18 mm) OD-0.25" (OD-6.35 mm) clear color (E lubrication)
058778	Sanitizer capacity tubes, norprene (food) 1/4"T-1/4"T, ID-0.125" (ID-3.18 mm) OD-0.25" (OD-6.35 mm) clear color (B lubrication)
1201026	Sanitizer capacity tubes, Viton w/stainless steel clamps 1/4"T-1/4"T
093288	Lubricant, Dow Corning, 6 grams, 0.211 oz.
093409	Lubricant, Dow Corning, 150 grams, 5.3 oz.

All tube kits include factory installed fittings

Tube Lubrication	
Code	Lubrication/ Application Instructions
B	Vaseline (petroleum jelly)/ Coat the inside radius of tube along the path the roller will travel.
D	Dow Corning 111/ Coat the inside radius of the cartridge which contacts the tube with 1mL of the lubrication.
E	Dow Corning 111/ Coat the entire outside surface of the tube.
F	Vaseline (petroleum jelly)/Coat the entire outside surface of the tube.
G	PFPE/ Perfluro Polyether (high end vaseline)

# SPARE PARTS

## 8 OZ. PUMPS



Note: Tubes should not be left unused in spare cartridges for several months as they can seal themselves shut.

### 8 OZ PUMPS - INDIVIDUAL PARTS

Code No.	Description
040992	No. 1, Screw, phillips pan head, 6-32 x 3/4, requires 4 per pump, outside pump mounting
E269022	No.2, Pump head front, smoke
E248003	No. 4, Roller assembly, yellow, 0.710" OD
E248005	No. 4, Roller assembly, green, 0.780" OD
E248004	No. 4, Roller assembly, white, 0.770" OD for Viton
040985	No. 5, Screw, flathead, 8/32" x 3/8", requires 2 per pump, inside pump mounting
040986	No. 5, Screw, phillips flathead, 8/21" x 3/4", requires 2 per pump, inside pump mounting
E269024	No. 6, Pump head, rear, smoke color
041189	Hex spacer, 3/16", 6/32", nickel plated
018051	No. 7, Motor, 115 VAC, 60 Hz, 100 RPM, used with P4000, L4000E
018053	No. 7, Motor, 230 VAC, 60 Hz, 100 RPM, used with P4000, L4000E
035529	No. 7, Motor, 24 VDC, 45 RPM, used with H8000, S2140 sanitizer
E451011	No. 7, Motor, 24 VDC, 17 RPM, used with H3000E rinse
E451013	No. 7, Motor, 24 VDC, 100 RPM, used with H3000E rinse

### 8 OZ PUMPS - COMPLETE PUMP MOTOR KITS

Code No.	Description
E236023	No. 1-7, 24 VDC, 100 RPM motor, smoke color, pump heads, silicone tubing
E236018	No. 1-7, 24 VDC, 17 RPM motor, silicone sanitizer tube, smoke color, pump heads
E236010	No. 1-7, 115 VAC, 106 RPM motor, smoke pump heads, silicone tubing
035723	No. 1-7, 230 VAC, 106 RPM motor, smoke pump heads, silicone tubing
1203654	No. 1-7, 230 VAC, 106 RPM motor, EPDM 0.188" tubing
035732	No. 1-7, 24 VDC, 17 RPM motor, smoke pump heads, rinse, Beta tubing
1208573	No. 1-7, 24 VDC, 100 RPM motor, detergent, Beta tubing

# SPARE PARTS

## 8 OZ PUMPS - TUBING OPTIONS

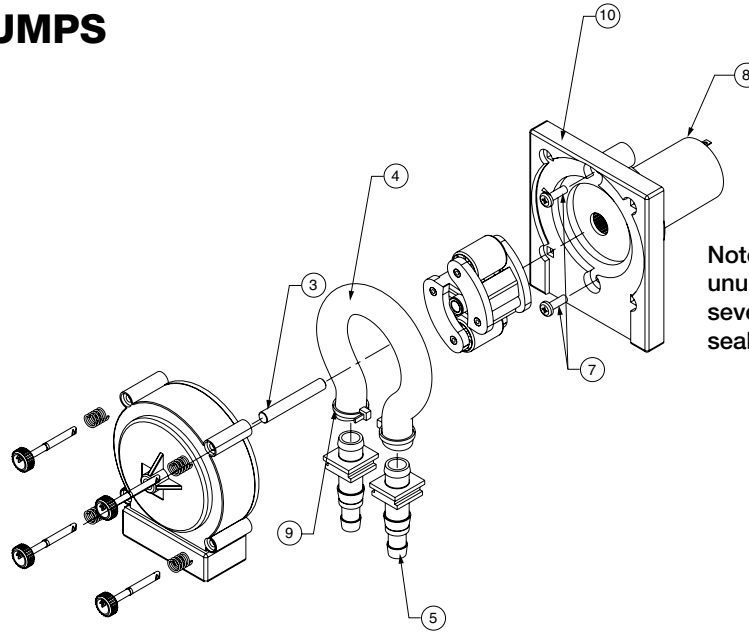
Code No.	Description
041849	Detergent capacity tubes, molded EPDM, green roller, ID-0.188" (A lubrication)
E223120	Detergent capacity tubes, silicone, 9" long, high volume, green roller, ID-0.25" (ID-6.35 mm) OD-0.437" (OD-11.1 mm) milk color (B lubrication)
022028	Detergent capacity tubes, Beta tube, 9" long, green roller, ID-0.188" (ID-3.18 mm) OD-0.375" (OD-9.53 mm) beige color (A lubrication)
E223043	Detergent capacity tubes, silicone, 9" long, green roller, ID-0.188" (ID-4.77 mm) OD-0.385" (OD-9.78 mm) milk color, (B lubrication)
E223055	Detergent capacity tubes, Viton, 9" long, white roller, ID-0.19 in., ID-4.83 mm, OD-0.39 in., OD-9.91 mm, black color, B (lubrication)
E223046	Detergent capacity tubes, EPDM, 9" long, green roller, ID-0.188" (ID-4.77 mm) OD-0.385" (OD-9.78 mm) black color (A lubrication)
099234	Detergent capacity tubes, EPDM, 9" long, thick wall, yellow roller, ID-0.195" (ID-4.9 mm) OD-4.45" (OD-11.3 mm) black color (E lubrication)
E223087	Rinse capacity tubes, Beta tube, 9" long, yellow roller, ID-0.125" (ID-3.18 mm) OD-0.375" (OD-9.53 mm) beige color (A lubrication)
E223049	Rinse capacity tubes, silicone, 9" long, yellow roller, ID-0.125" (ID-3.18 mm) OD-0.375" (OD-9.53 mm) milk color (B lubrication)
035926	Rinse capacity tubes, EPDM, 9" long, Nordel, yellow roller, ID-0.125" (ID-3.18 mm) OD-0.375" (OD-9.53 mm) black color (A lubrication)
026883	Sanitizer capacity tubes, silicone, 9" long, yellow roller, ID-0.17" (ID-4.32 mm) OD-0.413" (OD-10.6 mm) milk color (B lubrication)
093288	Lubricant, Dow Corning, 6 grams, 0.211 oz.

Tube Lubrication	
Code	Lubrication/ Application Instructions
A	Dow Corning 111/ Coat the inside radius of tube along the path the roller will travel.
B	Vaseline (petroleum jelly)/ Coat the inside radius of tube along the path the roller will travel.
E	Dow Corning 111/ Coat the entire outside surface of the tube.



# SPARE PARTS

## 600 SERIES PUMPS



Note: Tubes should not be left unused in spare cartridges for several months as they can seal themselves shut.

### 600 SERIES PUMPS - INDIVIDUAL PARTS

Code No.	Description
1203353	No. 5, Tube insert for 0.250" bore tube
E281220	No. 5, Tube insert for 0.375" bore tube, Tube insert, barb, 3/8" x 1/2" connection, 20 oz pumps
068668	No. 6, Roller assembly for Viton tube
040999	No. 7, Screw for pump mounting plate
E451042	No. 8, Motor/gearbox assembly
041319	No. 9, large cable tie wraps
E270024	No. 10, Pump mounting plate
051606	No. 11, Blank pump plate (2 each)
E248009	Cartridge with roller & pins, no tubing

### 600 SERIES PUMPS - COMPLETE PUMP CARTRIDGE KITS & PUMP MOTOR/GEARBOX KITS

Code No.	Description
E236064	No. 1-6, 9, Pump cartridge with silicone 0.375" ID tubing, 3/8" & 1/2" B fittings, no motor
E236042	No. 1-6, 9, Pump cartridge with EPDM2 0.250" ID tubing, 3/8" B - 3/8" B, no motor
093485	No. 1-10, Pump head/motor/gearbox, 7100 RPM, with silicone tube 3/8" and 1/2" B fittings, and connection screws
099228	No. 1-10, Pump head/motor/gearbox, 7100 RPM, with 0.375" ID EPDM tube, and connection screws
1201032	No. 1-10, Pump head/motor/gearbox, 7100 RPM, with 0.25" ID EPDM tube, and connection screws
093967	No. 1-10, Pump cartridge with EPDM tubing, 0.375" ID, 3/8" - 1/2" B fittings
095684	No. 1-10, Pump cartridge with Bi-wall tubing, 0.375" ID, 3/8" - 1/2" B fittings
1207655	Wire harness for 600 series single pump

# SPARE PARTS

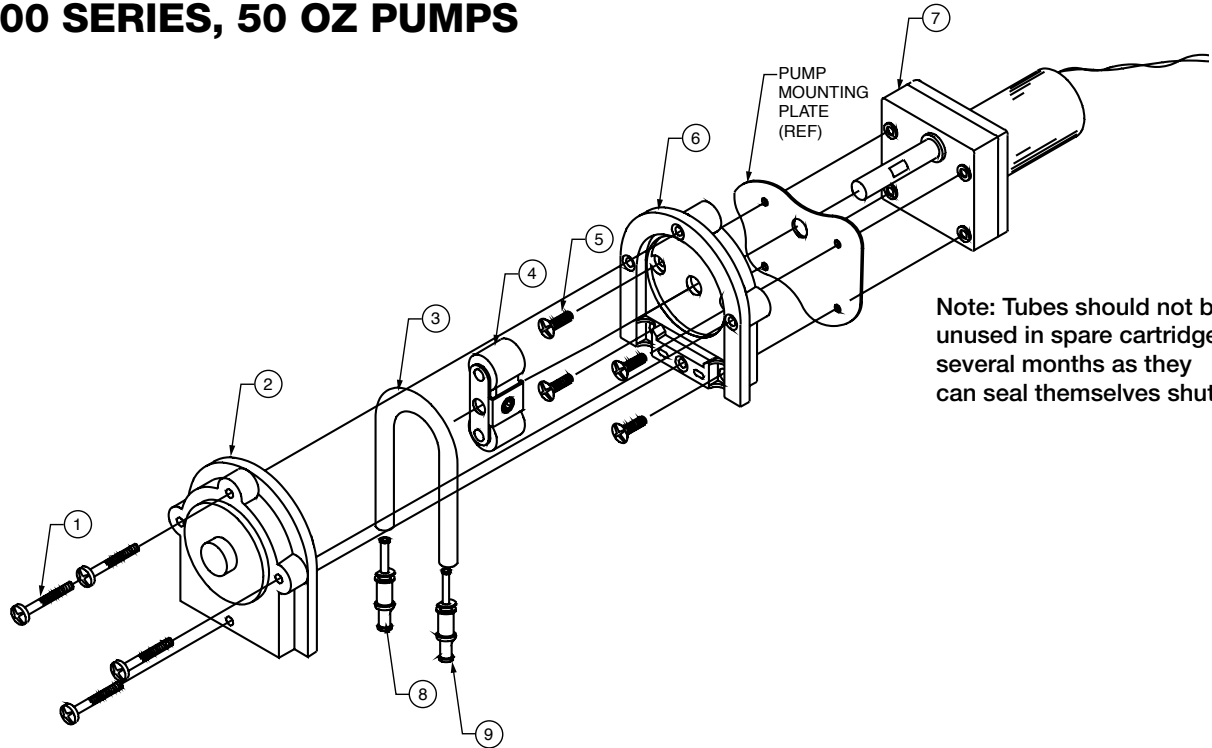
## 600 SERIES PUMPS - TUBING OPTIONS

Code No.	Description
E223081	EPDM2, 1/4" bore, 3/8" step barb transport tube fitting, ID-0.25" (ID-6.35 mm) OD-0.52" (OD-13.2 mm) black color (E lubrication)
1207591	Biwall, 3/8" bore, 3/8 - 1/2" step barb transport tube fitting, ID-0.375" (ID-9.53 mm) OD-0.642" (OD-16.3 mm) beige color (E lubrication)
096171	Beta tube, 3/8" bore, 3/8" - 1/2" step barb transport tube fitting, ID-0.375" (ID-9.53 mm) OD-0.63" (OD-16.0 mm) beige color (E lubrication)
E223083	EPDM2, 3/8" bore, 3/8" - 1/2" step barb transport tube fitting, ID-0.375" (ID-9.53 mm) OD-0.63", (OD-16.0 mm) black color (E lubrication)
096174	Silicone, 3/8" bore, 3/8" - 1/2" step barb transport tube fitting, ID-0.375" (ID-9.53 mm) OD-0.642" (OD-16.3 mm) milk color (F lubrication)
099270	Viton, 3/8" bore, 3/8" - 1/2" step barb transport tube fitting, ID-0.375" (ID-9.53 mm) OD-0.622" (OD-15.8 mm) black color (B lubrication)
1202306	EPDM (standard) 1/4"B - 3/8"B, ID-0.25" (ID-6.35 mm) OD-0.52" (OD-13.2 mm) black color (E lubrication) 6 each
1202307	EPDM (standard) 1/4"B - 3/8"B, ID-0.25" (ID-6.35 mm) OD-0.52" (OD-13.2 mm) black color (E lubrication) 4 each
E223089	Viton tube with roller assembly, ID-0.375" (ID-9.53 mm) OD-0.622" (OD-15.8 mm) black color (F lubrication)
1208090	Solvent resistant tube 3/8" - 1/2" step barb, ID-0.375" (ID-9.53 mm) OD-0.622" (OD-15.8 mm) clear/pink color (F lubrication)
093288	Lubricant, Dow Corning, 6 grams, 0.211 oz.

Tube Lubrication	
Code	Lubrication/ Application Instructions
B	Vaseline (petroleum jelly)/ Coat the inside radius of tube along the path the roller will travel.
E	Dow Corning 111/ Coat the entire outside surface of the tube.
F	Vaseline (petroleum jelly)/Coat the entire outside surface of the tube.

# SPARE PARTS

## 2000 SERIES, 50 OZ PUMPS



Note: Tubes should not be left unused in spare cartridges for several months as they can seal themselves shut.

### 2000 SERIES, 50 OZ PUMPS - INDIVIDUAL PARTS

Code No.	Description
041004	No. 1, Screw, phillips pan head, 10-32 x 1 1/4, requires 4 per pump, outside pump mounting
E269037	No. 2, Pump head front
E248006	No. 4, Roller assembly, white, 1.20" OD
041011	No. 5, Screw, phillips flathead, 10/32" x 5/8", requires 4 per pump, inside pump mounting
E269038	No. 6, Pump head, rear, clear
E451014	No. 7, Motor, gearbox 98 RPM
E451036	No. 7, Motor, gearbox, 200 RPM
1206377	No. 8, Straight tube fitting 5/8"B x 1/2"B, input
E281152	No. 9, Straight tube fitting 3/8"B x 1/2"B, output

### 2000 SERIES, 50 OZ PUMPS - PUMP MOTOR/GEARBOX KITS

Code No.	Description
1209766	No. 1-7, Pump kit, 200 RPM motor, silicone tubing
E236024	No. 1-7, Pump kit, 98 RPM motor, silicone tubing
1202584	No. 1-7, Pump kit, 98 RPM motor, EPDM tubing

## 2000 SERIES, 50 OZ PUMPS - PUMP TUBES

Code No.	Description
E223048	Silicone, 16" long, ID-0.375" (ID-9.53 mm) OD-0.642" (OD-16.3 mm) milk color (F lubrication)
E223086	Viton, 16" long, ID-0.375" (ID-9.53 mm) OD-0.622" (OD-15.8 mm) black color (B lubrication)
035925	EPDM, 16" long, ID-0.375" (ID-9.53 mm) OD-0.622" (OD-15.8 mm) black color (E lubrication)
1203738	Biwall, 16" long, ID-0.375" (ID-9.53 mm) OD-0.622" (OD-15.8 mm) beige color (E lubrication)
1208091	Solvent resistant tube, ID-0.375" (ID-9.53 mm) OD-0.622" (OD-15.8 mm) clear/pink color (G lubrication)
5503395	Beta tube, 16" long, ID-0.375" (ID-9.53 mm) OD-0.63" (OD-16.0 mm) beige color (E lubrication)

Tube Lubrication	
Code	Lubrication/ Application Instructions
B	Vaseline (petroleum jelly)/ Coat the inside radius of tube along the path the roller will travel.
D	Dow Corning 111/ Coat the inside radius of the cartridge which contacts the tube with 1mL of the lubrication.
E	Dow Corning 111/ Coat the entire outside surface of the tube.
F	Vaseline (petroleum jelly)/Coat the entire outside surface of the tube.
G	PFPE/ Perfluoro Polyether (high end vaseline)

## MISCELLANEOUS SPARE PARTS

### BULK TUBING

Code No.	Description
041771	Bulk tubing, Polyethylene, 0.250" OD, red, all dispensers
041772	Bulk tubing, Polyethylene, 0.250" OD, white, all dispensers
041773	Bulk tubing, Polyethylene, 0.250" OD, blue, all dispensers
041778	Bulk tubing, Polyethylene, 0.375" OD, natural, all dispensers
041781	Bulk tubing, EVA, 0.500" x 0.375", all dispensers
051176	Bulk tubing, Nylon, 0.125" OD (1/8"), all dispensers
094534	Hose, PVC, 0.625" ID x 0.875" OD x 8" long, W6000
026926	Bulk tubing, vinyl, 3/8" ID x 9/16" OD, L5000 XL Manifold
092350	Nylobraid, 3/8" ID x 5/8" OD, 50' roll, ILS
092355	Nylobraid, 3/8" ID x 5/8" OD, 300' roll, ILS
092357	Bulk tubing, reinforced 1/2" ID x 3/4" OD, 200' roll, ILS
092358	Bulk tubing, reinforced PVC 0.625" ID x 0.90" OD (chemical uptake to pumps), ILS
092367	Bulk tubing, EVA, 3/8" ID X 1/2" OD, 100' roll
092369	Bulk tubing, polyflow, 1/2" OD, 100' roll, all dispensers
1208078	Bulk tubing, polyethelane, 0.063" ID x 1/8" OD
1208761	Bulk tubing, Nylobraid, 1/2", reinforced, 50' roll, ILS MAX
017443	Bulk tubing, Polyethylene, Break Tank, ILS MAX

# MISCELLANEOUS SPARE PARTS

## FITTINGS

Code No.	Description
022031	Single - Wall Tank 90 Degree Bulkhead Fitting - Polypropylene (1/4" tube connection, 22mm pipe connection, 7/8" bulkhead hole)
036848	Valve insert, grey, W-5000
041228	1/2" bushing, Break Tank
041229	3/4" bushing, P-4000/P-4000P
041235	7/8" hole plug, all dispensers
041236	1/2" Hole plug, Encapsulator
041912	Hose fitting, straight, poly, 1/4"B x 1/4"B, ILS OPL
E281220	Tube insert for 0.375" bore tube, Tube insert, barb, 3/8" x 1/2" connection, for 20 oz pumps
041319	Large cable tie wraps, all dispensers
025702	Straight hose fitting, 3/8"B x 3/8"B, Plastic, MI-1000
041793	Elbow tube fitting, 1/4"T x 1/4"MPT, 100 Series Solenoid Valve
041807	Elbow tube fitting, 1/4"T x 1/8"MPT, brass, W-6000
055707	Straight fitting, 1/2" B x 1/2" MPT, Polypropylene, L5000 XL/ILS
1202524	Straight fitting, 3/8"MPT - 3/8"B, polypropylene, Summit XL
EQ0014003	Hose clamp, 1/4" - 5/8", Flush Manifold
041305	Hose clamp, 5/16" - 7/8", Flush Manifold
E281152	Straight tube fitting 3/8"B x 1/2"B, output
091033	Hose fitting, 3/8"B x 3/8" MPT elbow, ILS
091974	T fitting, elbow 3/8"T x 3/8" MPT, ILS OPL
041933	T fitting, straight, 1/2"T x 1/2" MPT, ILS MAX POD
041934	Straight tube fitting, 5/8"T x 1/2" MPT, ILS MAX POD
1202529	Hole plug, 1/2" FPT, polypropylene, Summit XL/Flush Manifold
1207657	Straight fitting, 1/2" MPT x 3/8" B (allows use of large standpipe with 3/8" ID tube), ILS OPL

## FUSES, BATTERIES, BUZZERS

Code No.	Description
1200452	Sonic alarm, 24 VAC, L5000Plus/Sierra
E422028	Fuse, 2A, fast blow, 250V, 1/4" x 1", NS-1000E/H-3000E/C-6100E/P-6100T
058942	Battery 3V, Dr2000 & Single Shot

## MOTORS

Code No.	Description
018051	Motor, 115 VAC, 60 Hz, 100 RPM, used with P4000, L4000E
018053	Motor, 230 VAC, 60 Hz, 100 RPM, used with P4000, L4000E

## MOUNTING RAILS AND BRACKETS

Code No.	Description
050705	Rail, mounting, 12" SST, ILS/ILS MAX/ILS OPL
050579	Rail, mounting, 34" SST, LS/ILS MAX

# MISCELLANEOUS SPARE PARTS

## PRINTED CIRCUIT BOARDS (PCB)

Code No.	Description
091155	PCB, model 100, ILS
1203862	PCB, relay, ILS
090941	PCB, transport module, ILS
087686	PCB assembly, C-6100E
E090040	PCB assembly, P-6100T
E403054	PCB opto isolator, P-6100T
015871	PCB, main, BoilerMatic 3000

## STANDPIPES - All include PVC snap-in standpipe, 1/4" ID x 18" long

Code No.	Description
1202756	Snap-on standpipe, 1/2" ID x 18" long, 1/2" ID x 18" long, PVC , ILS OPL
E269130	PVC snap-in standpipe, only, 1/4" ID x 18" long, all dispensers
E269131	PVC snap-in standpipe, only, 3/8" ID x 18" long, all dispensers
035623	CPVC standpipe, 1/4"ID x 18" long, snap-in, all dispensers
050572	CPVC standpipe, 1/8"ID x 18" long, snap-in, all dispensers
018112	CPVC standpipe, 1/4"ID x 18" , with red sleeves, 10 per package, all dispensers
036867	Standpipe sleeve, red, 1/4", standpipe
036868	Standpipe sleeve, white, 1/4", standpipe
036869	Standpipe sleeve, dark blue, 1/4", standpipe
036871	Standpipe sleeve, yellow, 1/4", standpipe
1202947	Standpipes, 1/2" ID x 18" long, Summit E, 6 pack
1202522	Standpipe & Foot valve, 34" long, 1/2" ID, 1/2" FPT with 1/2" B fitting (requires 1207657 to use with 3/8 " ID tube) Summit XL
1202523	Standpipe & foot valve, 3/4" ID, 3/4" FPT with 3/4"B fitting, 34" long , Summit XL
1208155	Standpipe, 1/2" ID, schedule 80 PVC, with 1/2"B fitting, 34" long
051150	Chemical standpipe (drum lances) 3/4" x 46" long, PVC, dispenser large laundry

## STRAINERS

Code No.	Description
096093	Water strainer / filter assy , 1/2" FPT, Polypropylene, 20 mesh, ILS MAX/ILS OPL
EQ0034669	Strainer 3/4" (recommended when using solenoid valve), cast iron, BoilerMatic 3000
1200766	Strainer mesh sock, Betajet
097513	Strainer, inline 1/2" FPT, 80 mesh, ILS

# MISCELLANEOUS SPARE PARTS

## SWITCHES AND SWITCH ACCESSORIES

Code No.	Description
E430041	Relay switch, SPDT, push button type, mom/on, panel mounting, 15A, M2/P61T, 125 VAC, H-3000E/P-6100T
097613	Relay switch SPST, PR-1100, Relay switch, SPST, 8A, 125 VAC, C-6100E
040629	Pressure switch only (Hobbs), D3000
4570676	Remote switch box without lockout, L-2200/Mesa/Alpine
E430068	On/off switch DPST, NS-1000E/ H-3000E/LS2000/LS3000
1201180	Low level drum and alarm lance requires 1 x 1201005 connector (not included), for 5 gal pail
1207655	Wire harness for 600 series single pump
1203869	Black RKR switch (square) on/ off panel, ILS/ILS MAX

## TERMINAL BARRIERS

Code No.	Description
050537	Terminal crimp, quick disconnect, 18/22", 1/4"F, insulated, all dispensers

## TRANSFORMER AND POWER SUPPLIES

Code No.	Description
E450043	Transformer, 115/208/230 VAC, 24 VAC, 20 VA, 50/60 Hz, H-3000E/NS-1000E
E450038	Transformer 115/208/230 VAC primary, 24 VAC secondary, P-6100T/PR-1100
050562	Transformer, 120/208/240, 40 VA, LS2000/LS3000

## VALVES

Code No.	Description
E292033	Solenoid valve kit, 2 way 1/4"T, 24 VDC, H-3000E
035646	Solenoid valve repair kit, all dispensers
031215	Ball valve only, no actuator, for 3/4" motor operated valve, BoilerMatic 3000
040091	Saddle Clamp, 1/8", Brass
097318	Shut off valve, 1/8" x 1/4", H-3000E/Sierra/NS-1000E
E292046	Solenoid valve transport module, ILS
1200933	Inline foot valve, EPDM, barb connection for 1/4", 3/8", 1/2" ID tubing, ILS OPL
1200932	Foot valve 1/4"B, 3/8"B, 1/2"B (Viton) and strainer (break tank), BetaJet/ILS OPL
1200931	Inline check valve, Viton, barb connection for 1/4", 3/8", 1/2" ID tubing, ILS OPL & BetaJet
094024	Grey check valve, 1/4" MPT, 3/8" B, ILS OPL
E230152	Check valve for flush manifold (3/8" B, 1/4" MPT) 10 pack
069580	Solenoid valve repair kit, ILS
1208574	Valve assembly, solenoid, 2W,24V, snap, brass

# MISCELLANEOUS SPARE PARTS

## WIRING

Code No.	Description
1206997	Cable, 7 conductor, 20 ga., Sierra/ H-3000E/NS-1000E
041747	Cable, 2 conductor, 22 ga., Sierra/ H-3000E/NS-1000E/ DR-2000
099686	Cable, 2 conductor, 18 ga., blue/brown, DR-2000/SingleShot
041769	Cable shielded, 10 conductor, 20 ga., ILS OPL
1202534	Power cord, Summit E/P400P/L5000Plus
E172003	Cable extension kit - 25' for communication between pump box & TR8000L, as well as TR8000L & programmer, Summit E
1203861	Harness, PCB controller, ILS

## OTHER SPARES

Code No.	Description
098569	Mixing bowl, ILS

## PROBES - WAREWASH DISPENSERS

Code No.	Description
E454020	CP3400 Conductivity Probe, K=0.4, Fits in 7/8"(22mm) hole, polypropylene (body material), 303 stainless steel (element material)
E454023	CTP3403 Conductivity/Temperature Probe, w/o cable, K=0.4, Fits in 7/8"(22mm) hole, polypropylene (body material), 303 stainless steel (electrode material), 30K ohms at 25 degrees C (thermistor rating)
EQ0099926	CTP 3403 Conductivity/Temperature Probe, w/cable, K=0.4, Fits in 7/8"(22mm) hole, comes with 15' (4.5m) cable, polypropylene (body material), stainless (element material)
035380	D44 Conductivity/Temperature Probe w/Bulkhead fitting, bulkhead, 7/8" (22 mm) hole, 12' (3.5 m) cable (mounting), 15 - 100°C (temp. range), 0.4 (cell constant)/30K ohms @ 25°C (thermistor), Low concentration for C1000, C6100E, C7000, StainlessSteel (element)/Polypropylene (body)
E454024	TP3409 Rinse Temperature Probe (also used with ILS), Fits in 1/8" NPT, comes with 15' (4.5m) cable, 30" long, Stainless steel (element)/CPVC & Polypropylene (body)
E454036	D42 CP3300 Conductivity Probe w/Bulkhead fitting, K=0.4, Fits in 7/8"(22mm) hole, comes with 13' (4m) cable, polypropylene (body material), 316 stainless steel (electrode material)







# PUMP TUBE CHEMICAL RESISTANCE DATA continued

# PRODUCT VS. TUBING COMPATIBILITY

Chemical Compatibility	Tube Materials
A = Little or no effect	Sil = Silicone
B = Minor effect	BT = Beta Tube, Flex
C = Moderate effect (serviceable)	EPDM = Nordel, Viton
U = Unacceptable (severe effect)	BW = Bi-Wall
Blank = No test information available	SR = Solvent resistant

Chemical	Tubing Material								
	Sili	Norp	Cflex	BT	Flex	EPDM	Viton	BW	SR
Polyglycol	A	B	B	B	A			A	
Polyvinyl Alcohol		C		C	A			A	
Potassium Carbonate		B	A	B	A			A	
Potassium Chlorate		B	A	B	A			A	
Potassium Hydroxide	C	A	A	A	A	A	B	A	
Potassium Hypochlorite	A	A		A	A			A	
Potassium Iodide		B	A	B	A			A	
Potassium Metasilicate	U	A	A	A	A	B	B	A	
Potassium Orthosilicate	U	A	A	A	A	B	B	A	
Propanol (Propyl Alcohol)	A	C		C	A		B	A	
Propylene Glycol									C
Monomethyl Ether Acetate									
Pyridine	U	C	U	C	C		U	C	
Silicone Fluids	U	B	A	B	A	A	A	A	
Silicone Oils	U	B	A	B	C	A	A	A	
Silver Nitrate	A	A	A	A	A	A	A	A	
Sodium Acetate		B	B	B	A			A	
Sodium Bicarbonate	A	A	A	A	A	A	A	A	
Sodium Bisulfate		A	A	A	A	A	A	A	
Sodium Bisulfite	A	A	A	A	A	A	A	A	
Sodium Borate	A	A	A	A	A	A	A	A	
Sodium Carbonate	A	A	A	A	A	A	A	A	
Sodium Chlorate	C	A	A	A	A	A		A	
Sodium Chlorite	A	A	A	A	A	A	A	A	
Sodium Ferrocyanide	A	A	A	A	A	A	A	A	
Sodium Fluorosilicate	U		A		A	B	A	A	
Sodium Hydroxide (to 15%)	B	A	A	A	A	A	A	A	
Sodium Hydroxide (to 30%)	C	C	B	C	A	B	A	A	A
Sodium Hydroxide (conc)	U	U	U	U	A	C	C	A	A
Sodium Hydrosulfite			A		A	A	A	A	
Sodium Hypochlorite (<5%)	A	A	A	A	A	B	A	A	A
Sodium Hypochlorite (>5%)	B	A	A	A	A	B	A	A	A
Sodium Nitrate	A	A	A	A	A	A	A	A	
Sodium Nitrilotriacetate	A		A		A	A	A	A	
Sodium Metasilicate	U	A	A	A	A	A		A	
Sodium Orthosilicate	U	A	A	A	A	A		A	
Sodium Perborate	B	A	A	A	A	A	A	A	
Sodium Peroxide	U		A		A	A	A	A	
Sodium Phosphate	U		A		A	A	A	A	
Sodium Sulfide	A	A	A	A	A	A	A	A	
Sodium Sulfite	A	A	A	A	A	A	A	A	
Sodium Thiosulfate	A				A	A	A	A	
Stearic Acid	B	A	A	A	C	B		C	
Sulfur Chloride	C	A	B	A	A	A	A	A	
Sulfur Dioxide	B	A	B	A	A	A	A	A	
Sulfur Hexafluoride	B		B			A	C		
Sulfur Trioxide	B	B	B	B	B	B	A	B	
Sulfuric Acid (diluted)	U	A	A	A	A	B	A	A	A
Sulfuric Acid (med conc)	U	A	A	A	A	B	A	A	A
Sulfuric Acid (conc)	U	A	B	A	A	C	A	A	
Sulfurous Acid	U	A	B	A	A	B	A	A	
Tannic Acid	B	A	B	A	A	A	A	A	
Tartaric Acid	A		A		A	A	A	A	
Tetrachloroethylene									A
Tetrahydrofuran		U		U	U	B		U	U
Toluene (tuluol)	U	U	U	U	U	U	A	U	A
Trichloroacetic Acid	U	U	A	U	A	B	C	A	
Trichloroethylene	U	U	U	U	U	U	A	U	A
Tripoly Phosphate	C				A	A	B	A	
Trisodium Phosphate		A	A	A	A	A	A	A	
Turpentine (and solvents)	U	C	U	C	U	U	A	U	
Vinyl Plastisol			U		C			C	
Xylene (xyloi)	U	U	U	U	U	U	A	U	A
Zinc Acetate	U				A	A	A	A	
Zinc Chloride		B	A	B	A	A	A	A	
Zinc Salts	A				A	A	A	A	
Zinc Sulfate	A				A	A	A	A	

Products	Pump Size	Tube Type			
		Norprene (Detergent)	Flex (Rinse)	Norprene (Sanitizer)	
<b>Machine Warewash Products</b>					
D3000	Model 100	Y	Y	Y	
Tahoe	Model 100	Y	Y		
Sierra	Model 100	Y	Y	Y	
<b>Laundry Products</b>					
Products	Pump Size	Tube Type			
		EPDM	Silicone	Flex	BiWall
Alpine	Model 100			Y	
L5000Plus	Model 600	Y			
Summit XL	Model 600	Y			
Summit XL	Model 2000				Y
ILS OPL	Model 600		Y		
ILS	Model 2000		Y		
ILS MAX	Model 2000		Y		
<b>Industrial Products</b>					
Products	Pump Size	Tube Type			
		Viton	Silicone	EPDM	
DR2000	Model 100	Y			
SingleShot	Model 100		Y		
LS2000	Model 100			Y	
LS3000	Model 600			Y	
P4101P	8oz.	Y	Y		
P4000	8oz.		Y		
P6100T	Model 2000		Y		
PR1100	Model 2000	Y	Y		



