

# Quick Installation Guide

L5000Plus



Caution – Refer to accompanying documents

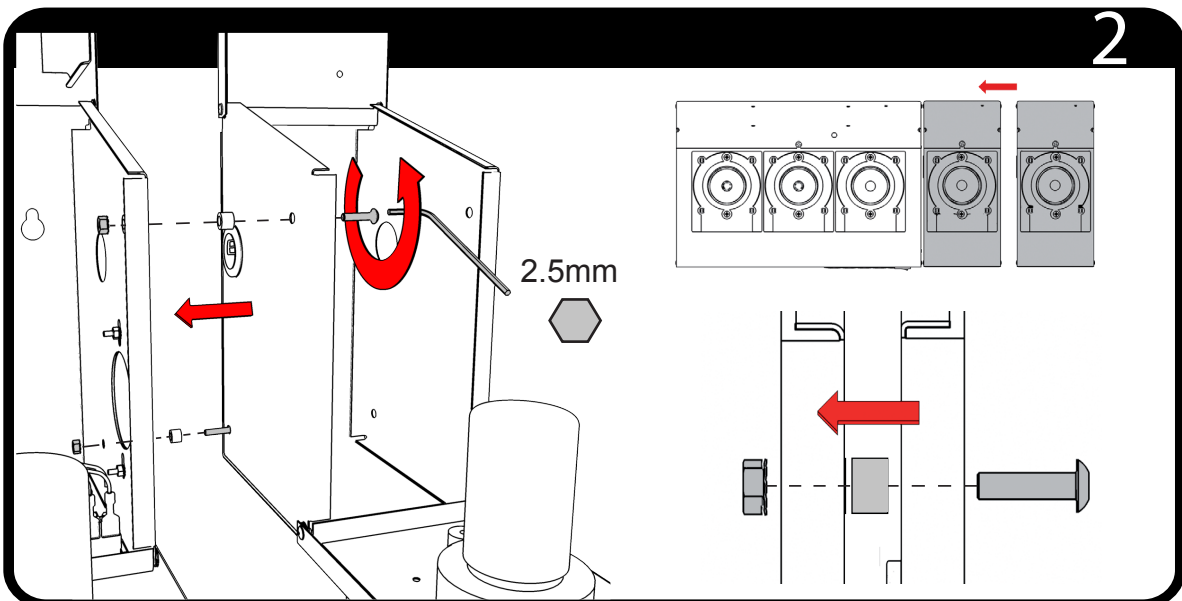
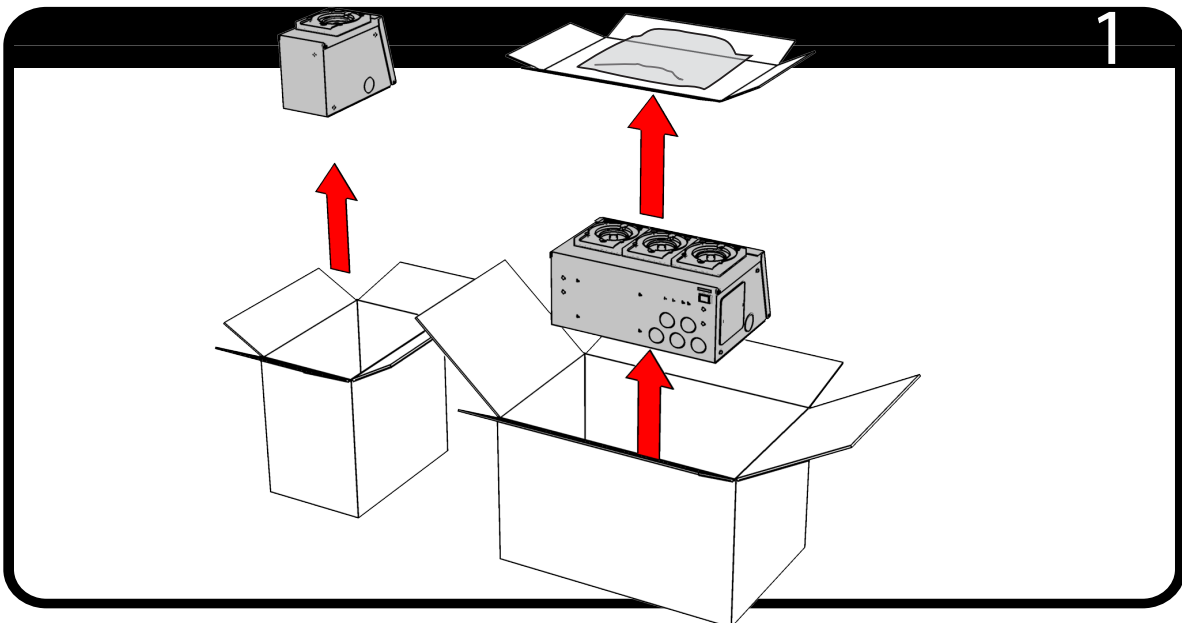


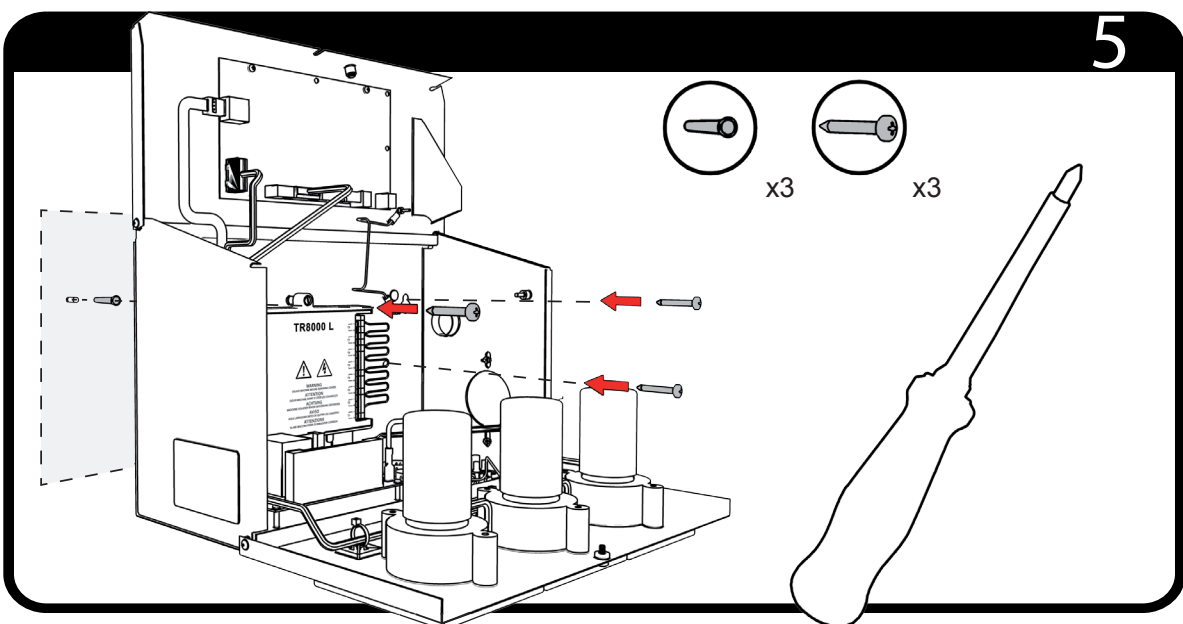
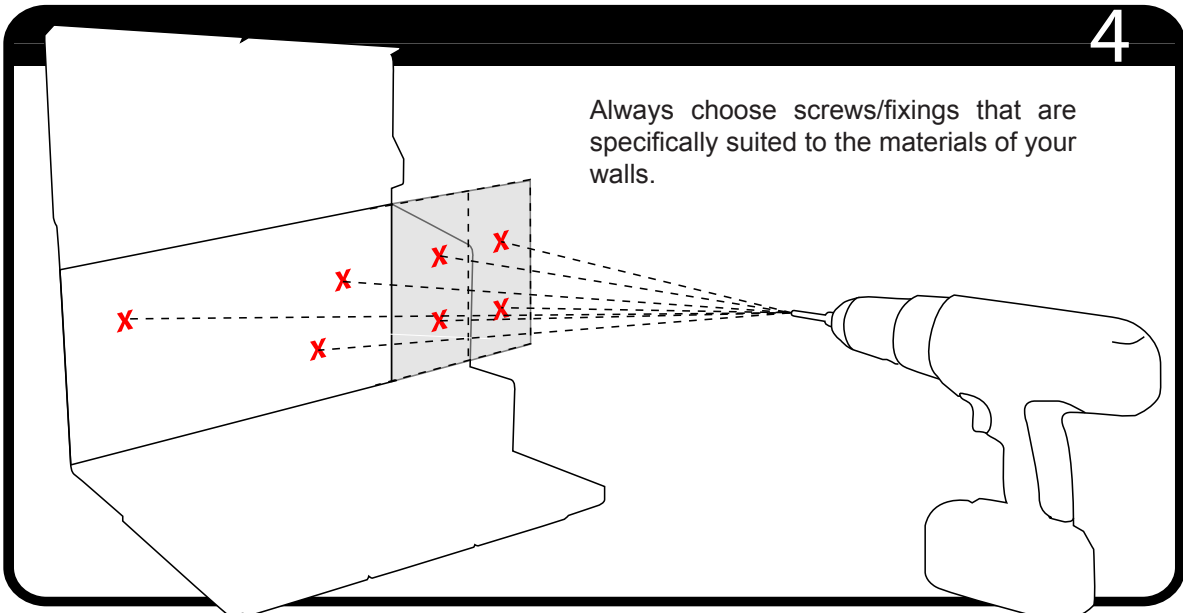
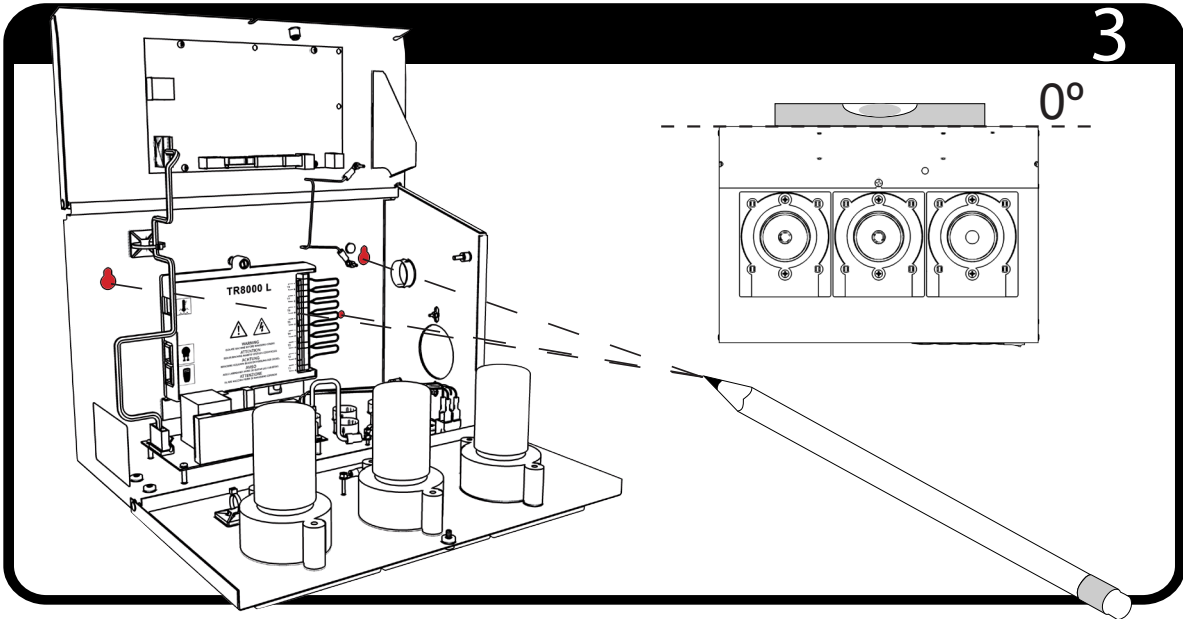
Caution – Risk of electric shock

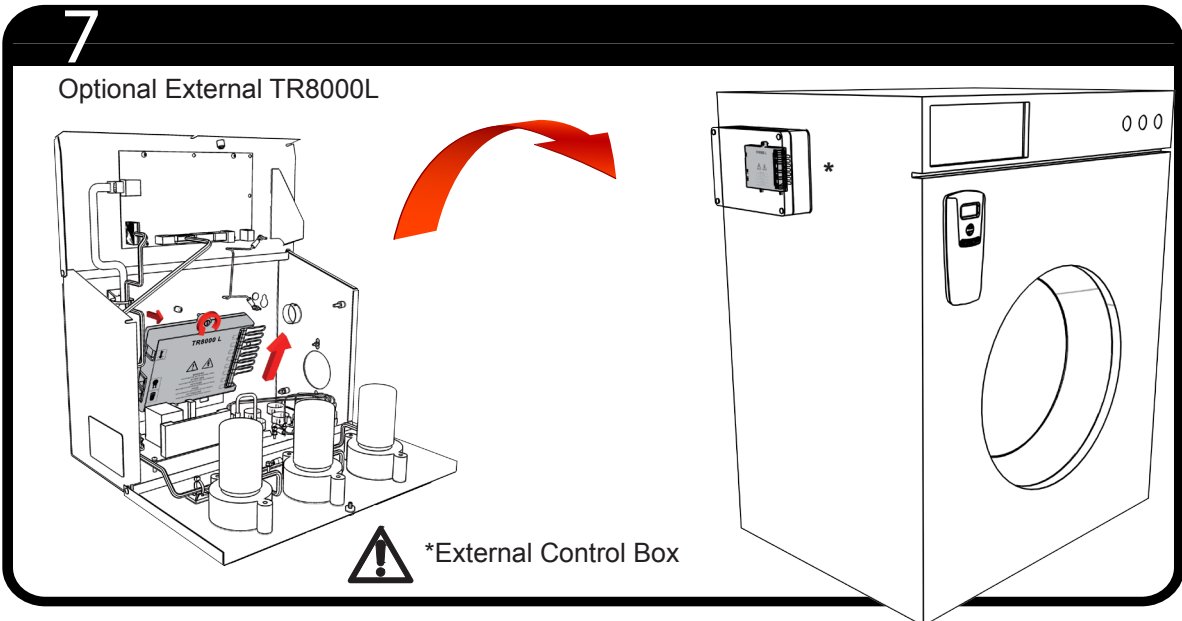
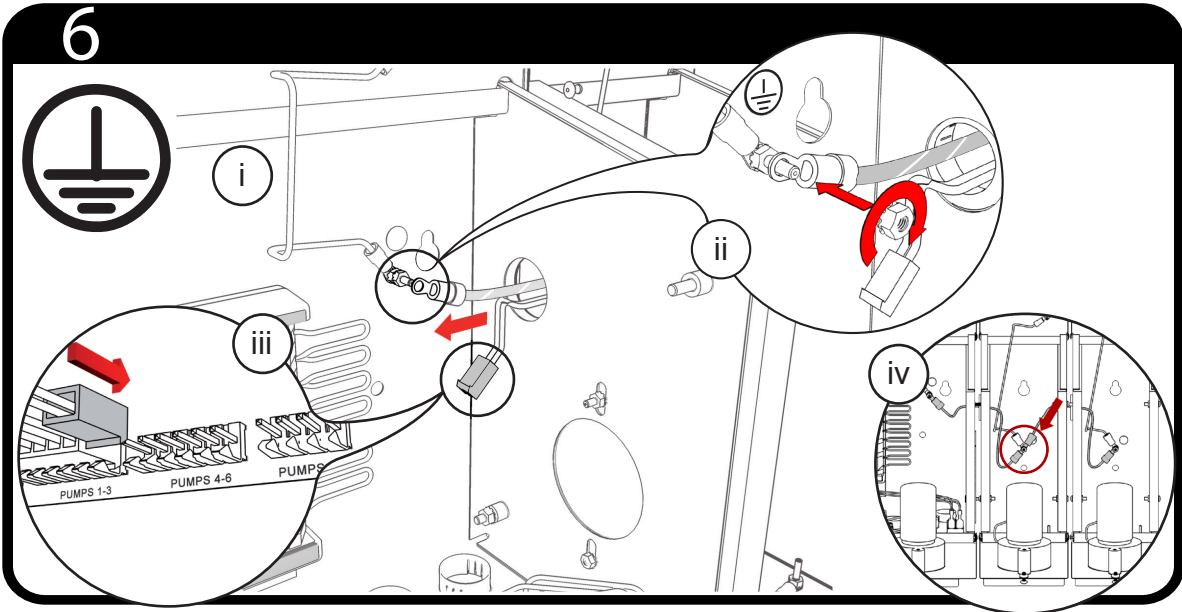


Electrical installation of this equipment should only be performed by trained personnel in accordance with local electrical wiring regulations (in North America, refer to NEC and CSA, C22.2 CEC Part 1). Before working with this equipment, isolate it from any electrical source and lock out/tag out.

Detailed installation instructions for L5000Plus units can be found at:  
<http://www.johnsondiversey-equipment.com>







# 8

**TR8000 L**

**WARNING**  
ISOLATE MACHINE BEFORE REMOVING COVERS  
**ATTENTION**  
ISOLER MACHINE AVANT D'OTER LES COUVERCLES  
**ACHTUNG**  
MASCHINE ISOLIEREN BEVOR ENTFERNUNG DER DECKEL  
**AVISO**  
AISLAR LA MAQUINA ANTES DE QUITAR LAS CUBIERTAS  
**ATTENZIONE**  
ISOLARE MACCHINA PRIMA DI RIMUOVERE COPERCHI

Trigger Signal	Relay Mode	Formula or Latched Mode with AFS selected	Formula Latched Mode Using Hot/Cold Fill, AFS not selected	Sequence Mode
T1	Pump 1	T1	T1	Drain Start (manual start)
T2	Pump 2	T2	T2	Main Wash Cold Trigger
T3	Pump 3	T3	T3	• • or • •
T4	Pump 4	T4	T4	
T5	Pump 5	T5	T5	
T6	Pump 6	T6	T6	
T7	Pump 7	T7	T7	
T8	Pump 8	AFS Timing or not used	T2	Main Wash Hot Trigger

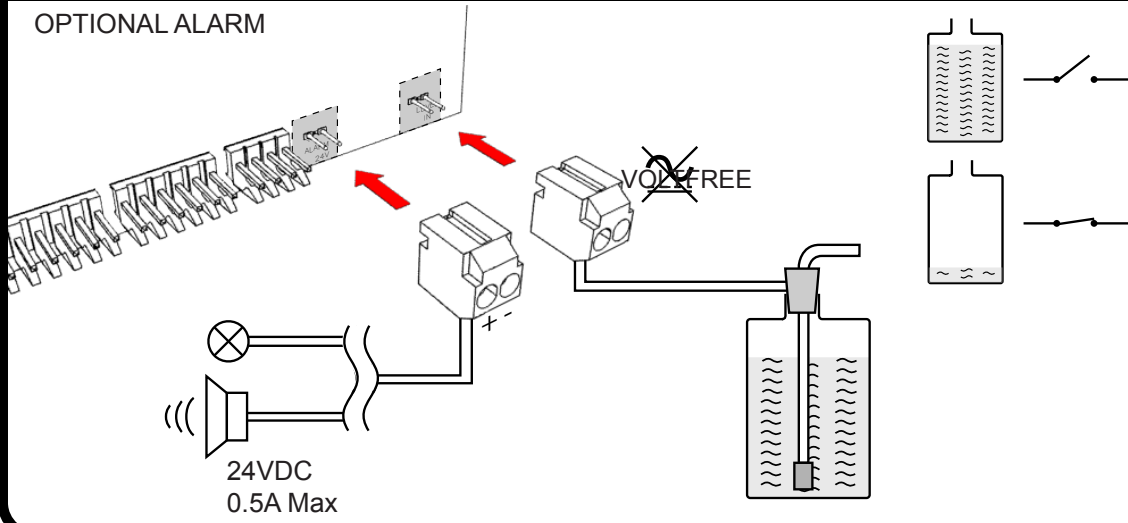
*\*See L5000Plus Installation and Setup Guide for full explanation*

24-120DC  
24-240VAC

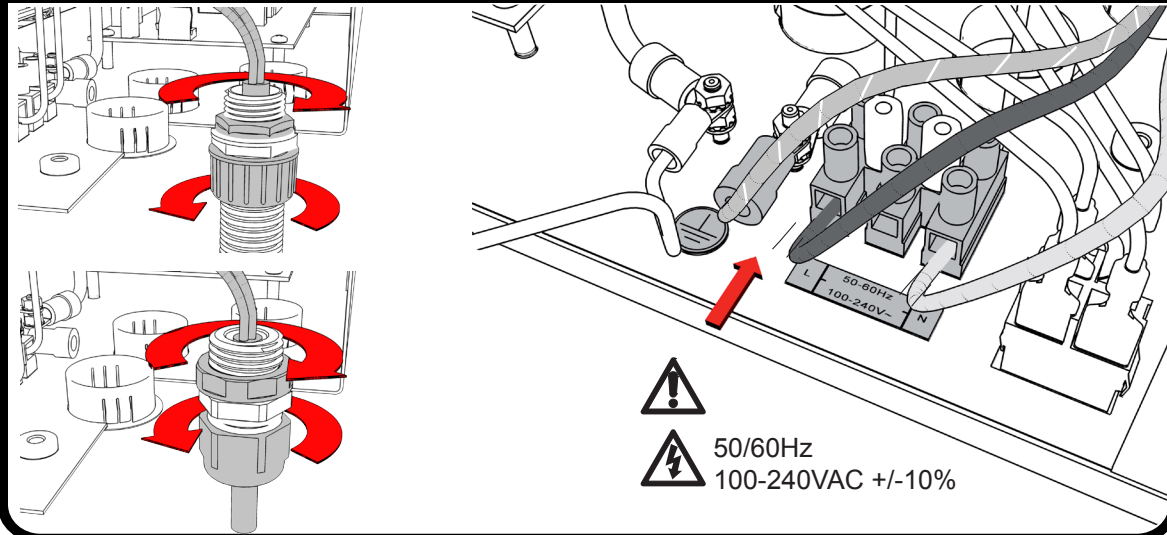
**WARNING**  
ISOLATE MACHINE BEFORE REMOVING COVERS  
**ATTENTION**  
ISOLER MACHINE AVANT D'OTER LES COUVERCLES  
**ACHTUNG**  
MASCHINE ISOLIEREN BEVOR ENTFERNUNG DER DECKEL  
**AVISO**  
AISLAR LA MAQUINA ANTES DE QUITAR LAS CUBIERTAS  
**ATTENZIONE**  
ISOLARE MACCHINA PRIMA DI RIMUOVERE COPERCHI

9

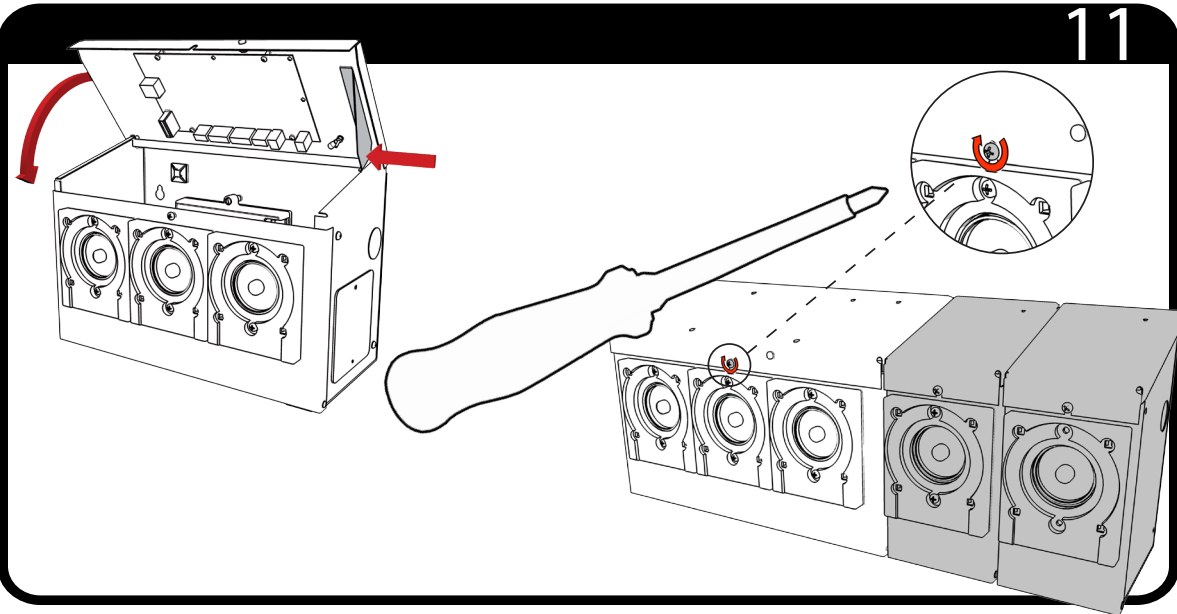
OPTIONAL ALARM



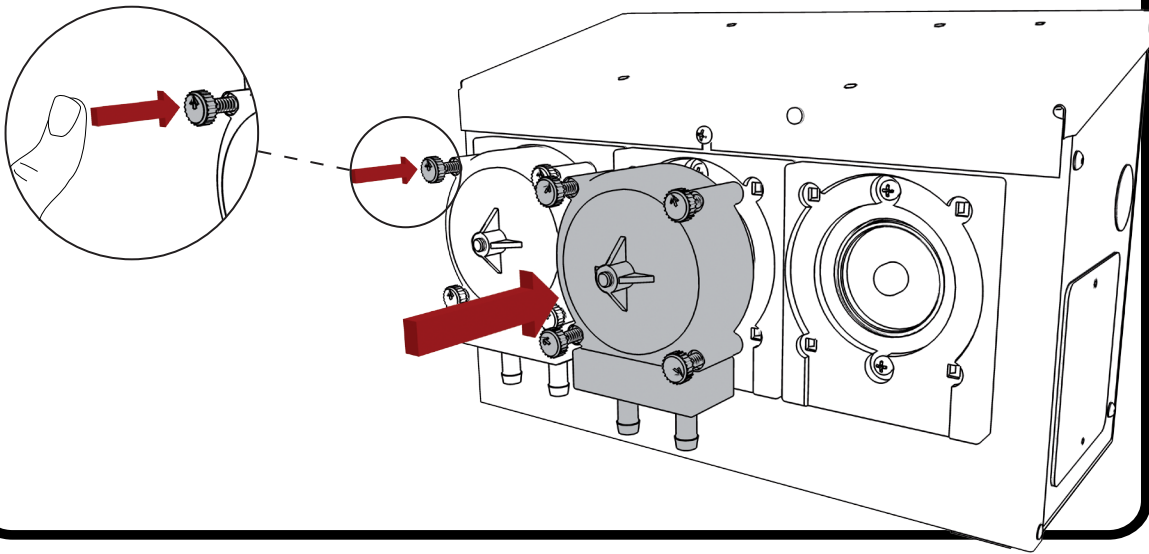
10



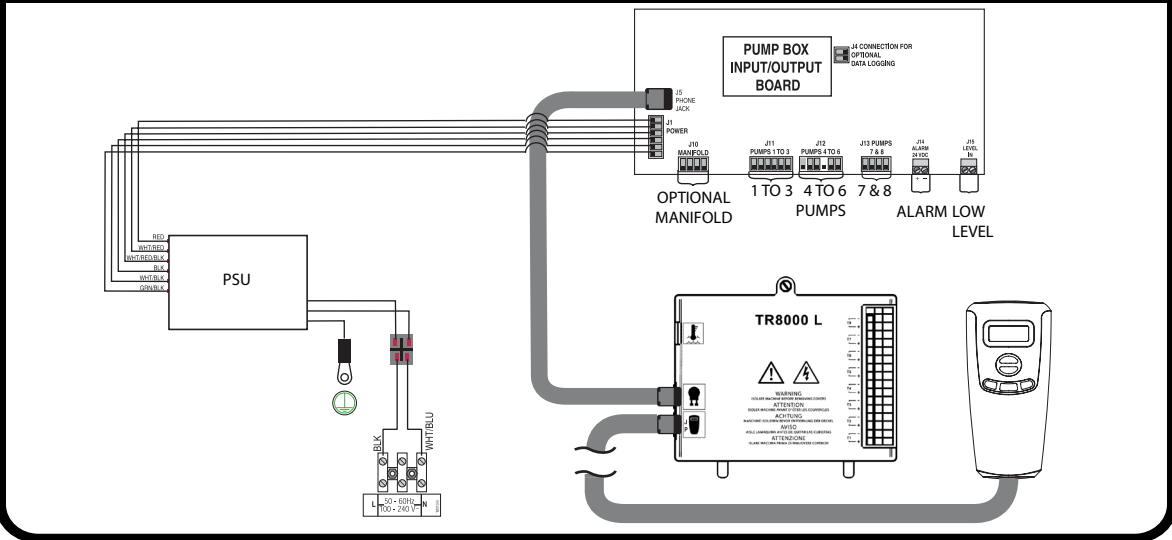
11



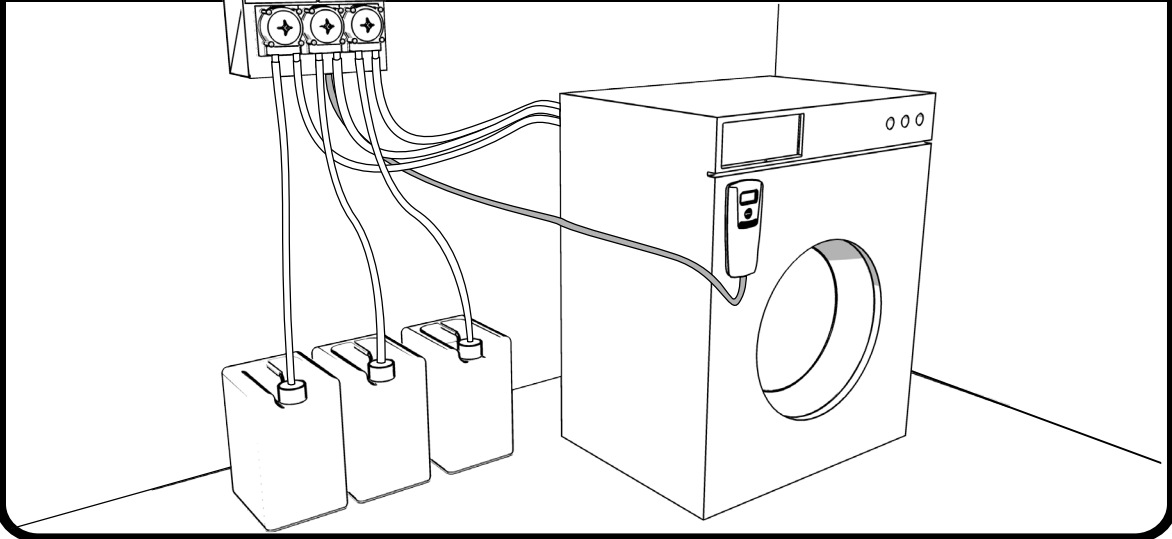
12



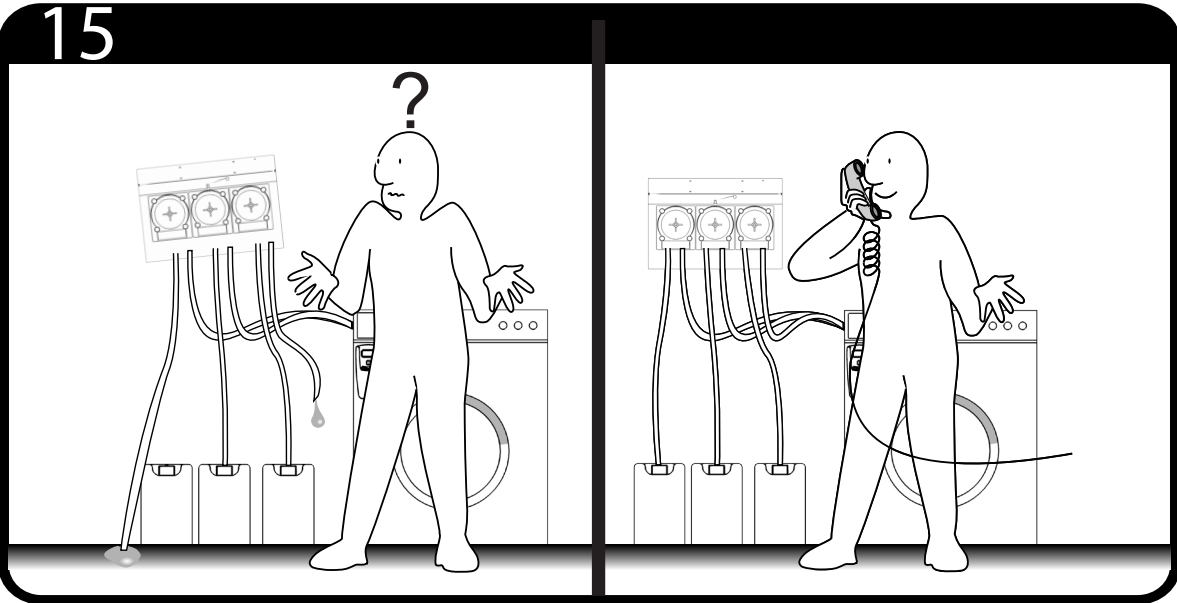
13



14



15



**Beta Technology**  
2841 Mission Street  
Santa Cruz, CA  
U.S.A. 95060-2142

**Customer Service**

TEL: 831 • 426 • 0882  
TEL: 800 • 858 • 2382 (toll-free in U.S.A.)  
FAX: 831 • 423 • 4573  
FAX: 800 • 221 • 8416  
<http://www.beta-technology.com>

**Global Technical Customer Service**

**North America:**  
TEL: 800 • 468 • 4893 (toll-free in U.S.A.)  
TEL: 262 • 631 • 4461 (international)  
**Europe, Middle East & Africa:**  
TEL: +1 630 • 513 • 9799

**Asia Pacific:**

TEL +1 86 21-50509900 x 2520

**Japan:**

TEL: +1 090-6506-5140

**Latin America**

TEL: +1 - 541148428270